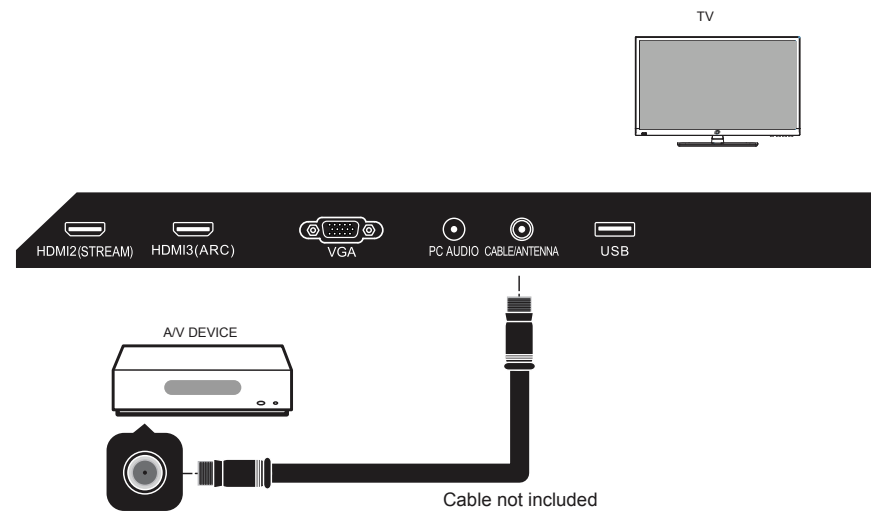
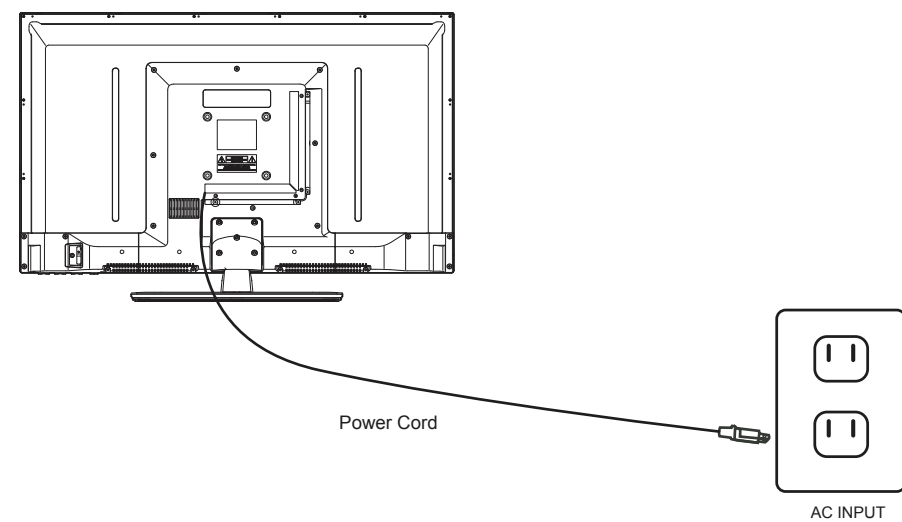


Basic
Connection

Coaxial / RF Cable / Antenna



Connect Power Cord

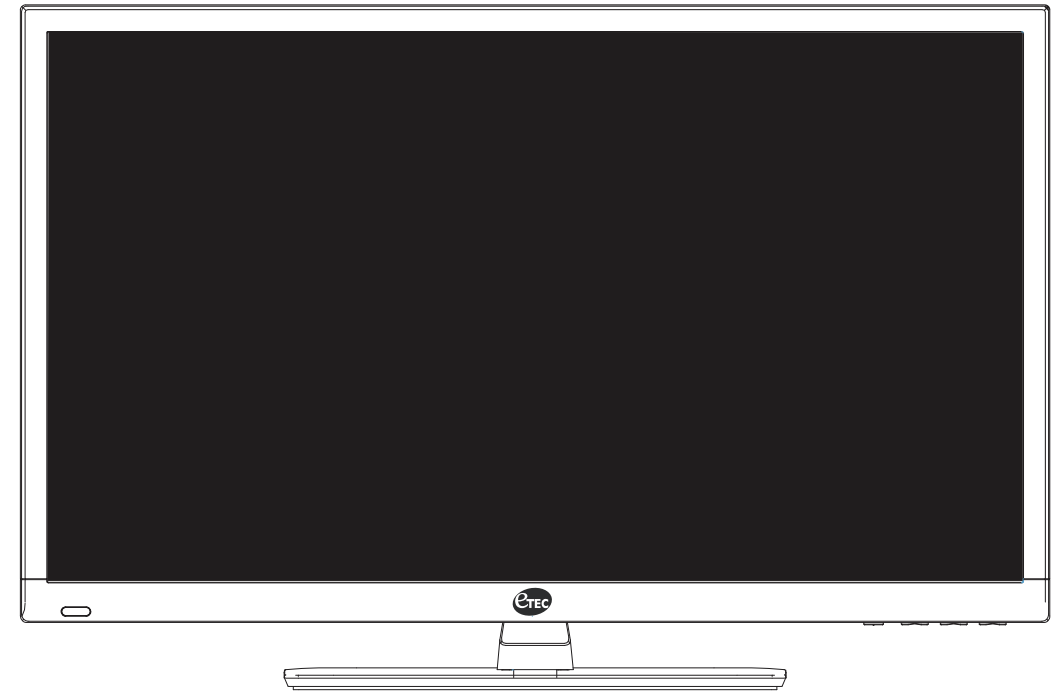


Press the POWER button on the remote control to turn on the TV

QUICK START GUIDE



Simple Steps for Connecting
your TV to A/V Devices

**IMPORTANT NOTE:**

During setup, do NOT run the "Channel Auto Scan" function if your TV is connected to a Cable or Satellite set-top box.

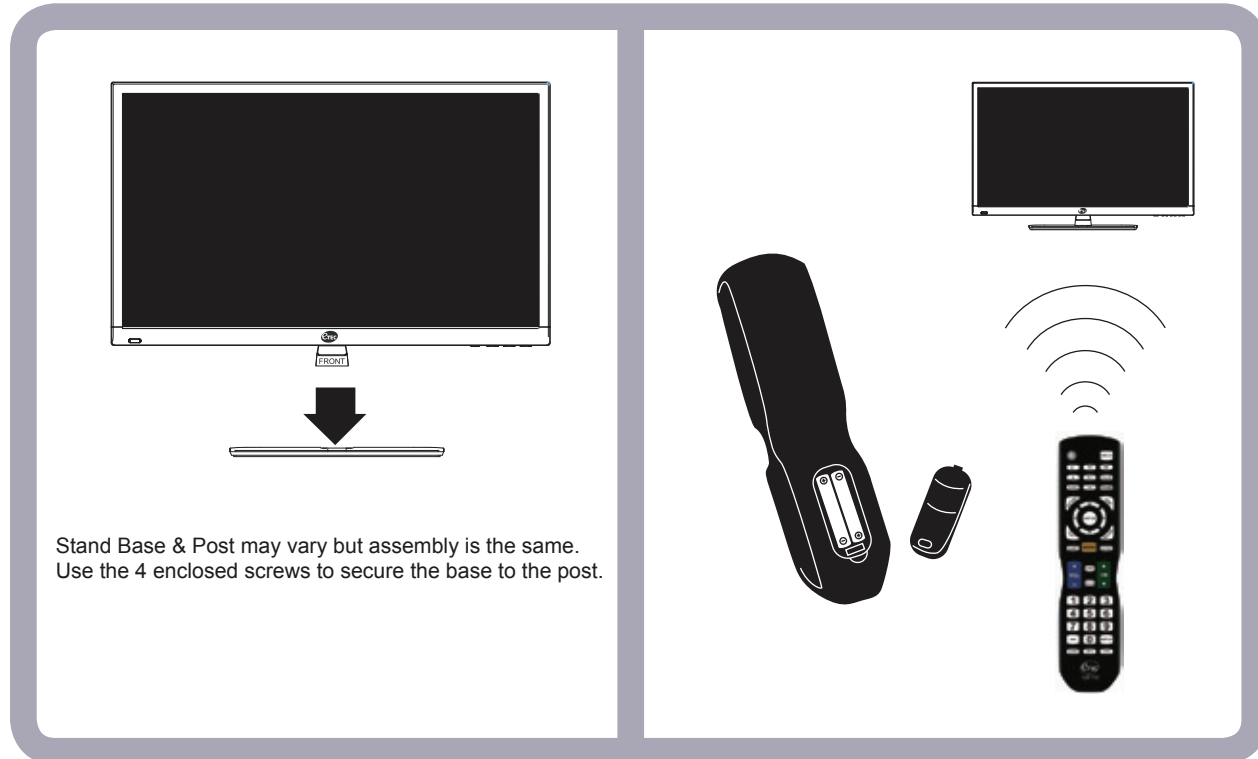
For technical support, the ETEC Technical Support Center is available 10:00AM to 7:00PM (Monday to Saturday) for technical assistance or troubleshooting. To contact us by phone, please call 1-855-994-3832.

A/V Devices Include:

- Blu-ray® Disc Players
- DVD Players
- Cable, Satellite, or Set-Top Boxes
- VCRs
- Game Consoles

If you need additional help, please consult your user manual.

**Insert the TV into the base and securely attach.
Install the batteries in the Remote Control**

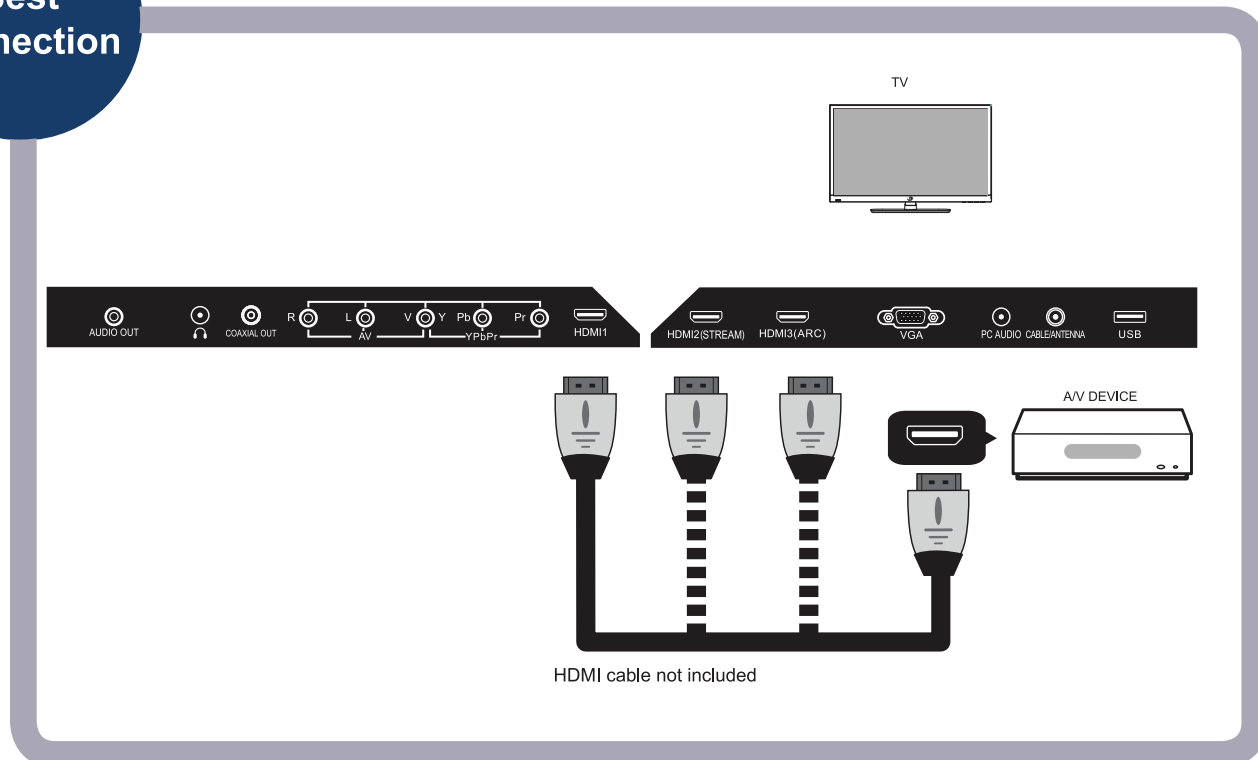


To operate this TV using the remote control provided by your Cable / Satellite provider, follow the programming instructions included with the providers' remote control and input the following codes when prompted;

- For Comcast or DirecTV remote controls, input the code- 10030
- For AT&T (U-verse) Remote Controls, input the code- 1043
- For RCA Universal Remote Controls, input the code- 0030
- For Dish Network Remote controls, input the code- 506

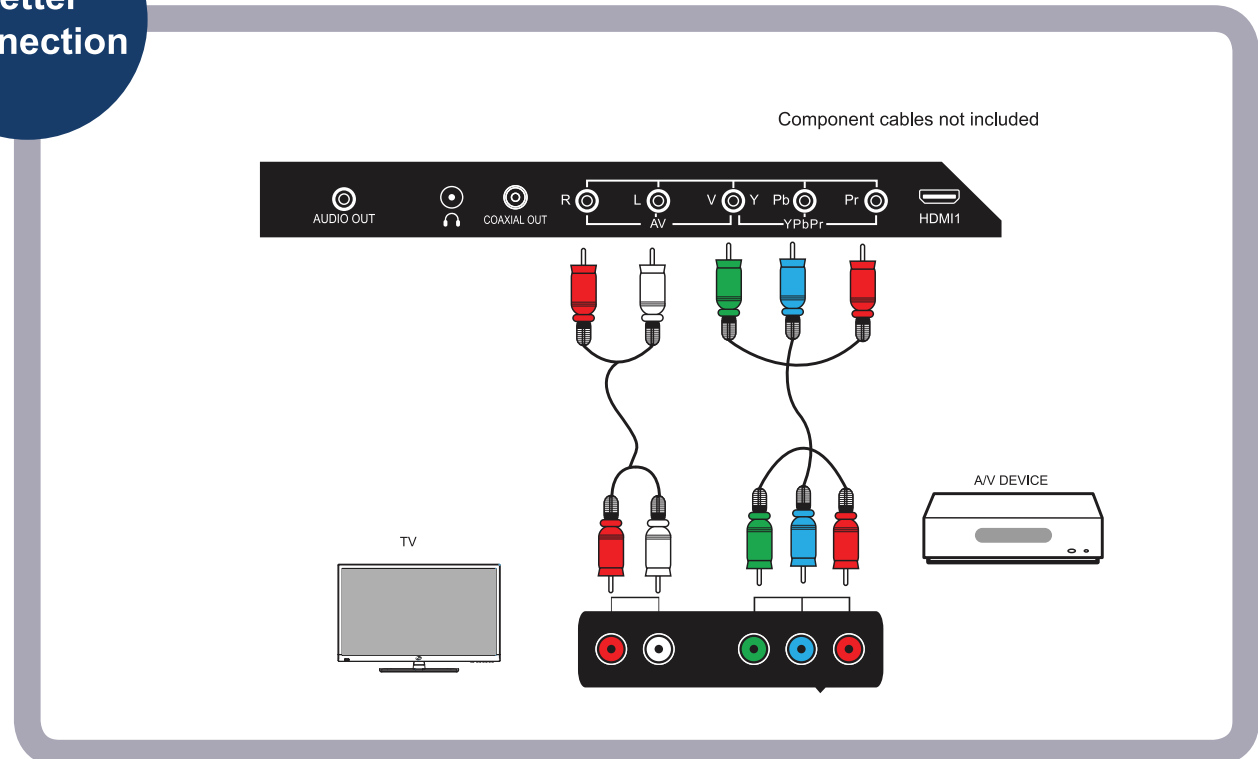
HDMI

Best Connection



Better Connection

Component



For technical support, the ETEC Technical Support Center is available 10:00AM to 7:00PM (Monday to Saturday) for technical assistance or troubleshooting. To contact us by phone, please call 1-855-994-3832.

Good Connection

Composite

