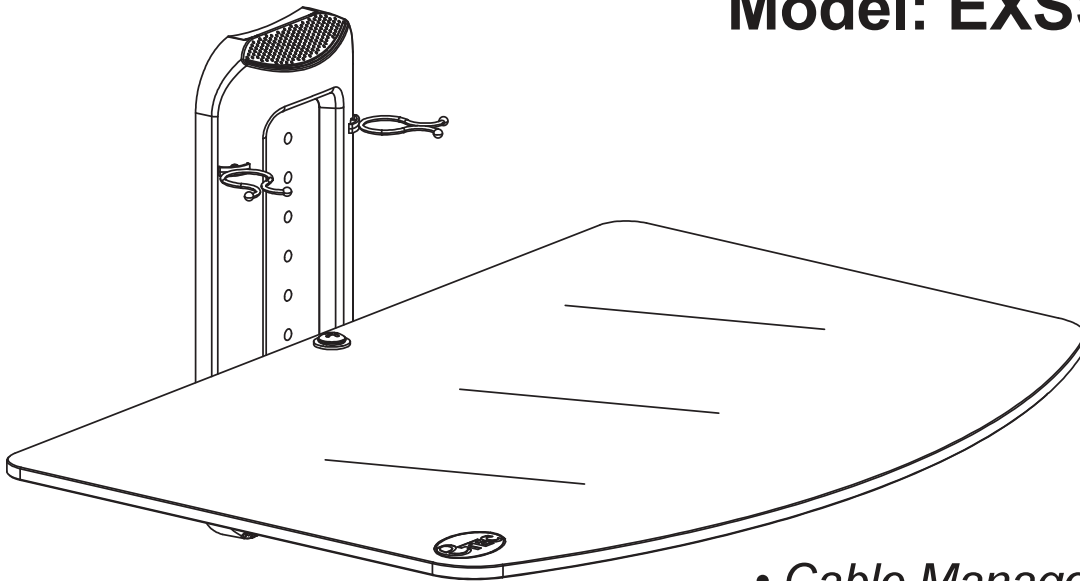




# One Shelf, Wall Mounted A/V Component Stand Installation Guide Model: EXSS117



- *Cable Management System*
- *Adjustable Shelf Height*
- *Maximum Weight Capacity  
Per Shelf: 22 lbs.*

**For technical assistance or troubleshooting please call  
1-855-994-3832 or visit [www.sibrandssupport.com](http://www.sibrandssupport.com)**



This product is intended for use only with Audio/Video components (Not for use with any type of TV). The maximum weight capacity per shelf is 22 lbs. See apparatus instructions. Using with an apparatus heavier than the maximum shelf support weight indicated may result in instability and cause personal injury.

#### **READ THIS FIRST**

Read this entire manual! Do not attempt to install this product if you do not understand the instructions. Contact a qualified mount installer if you have any doubts about a safe and secure mount installation, or if you are not sure what specific wall materials you are attaching this mount to. Check all the parts carefully to make sure there are no missing or damaged parts. Improper installation may result in damage to your Components, TV, property, and personal injury.



This product is intended only to be used to support Audio/Video Components (DVD players, Cable boxes, 5.1 Sound systems, etc.) Do not use this stand for any type of Television. Use with components heavier than the maximum shelf weight capacity can damage equipment and cause personal injury.

Schoenfeld International Inc. and ETEC are not responsible for personal injury or product damage due to mishandling, incorrect mounting, incorrect assembly, or incorrect use of this product.



## **CHILD SAFETY**

How and where you use your AV Component Wall Mount Stand is extremely important for Child Safety

As you set up and use your new product, keep all of these safety tips in mind.

- One size of AV Component Stand does not support all components weights and sizes.
- Your AV Component Stand assembly instructions contains specific information on the maximum weight capacity per shelf that your AV Component Stand can safely support. Do not exceed the maximum support weight for each shelf.
- Carefully read all of enclosed instructions for proper use of this product. If you have any doubts about safe and secure assembly, please contact a professional.
- Don't let children climb on or play next to Wall Mounted AV Stands or TV Wall Mounts.
- Remember that children can become excited while watching a program, especially on a "larger than life" TV. Make sure to place or install the AV Component Stand where it cannot be pushed, pulled on, or knocked down.
- Make sure that you safely route all cords and cables so that they cannot be pulled or grabbed by curious children.



**Always wear safety goggles to when drilling or installing hardware.**

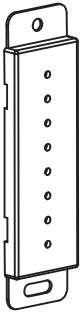
## **Tools**

For your convenience, we have included an allen wrench and a socket tool with this mount. For the best assembly experience and mounting safety, we always recommend using full-size tools for each assembly steps.

Below is a recommended tool list you will need for proper and safe installation. See applicable warnings in this manual about certain types of mounting surface materials and the special hardware and tools that should be used.

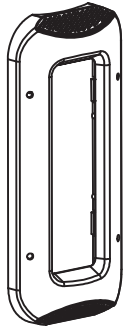
- Drill with a specific size drill bit to pre-drill holes in the wall
- Stud finder
- Tape measure
- Pencil
- Screw drivers
- Socket wrenches
- Small hammer
- Safety goggles

1x1



Wall Plate

2x1



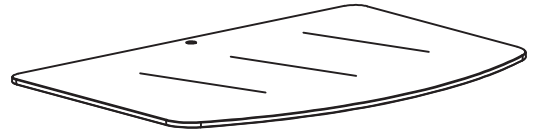
Plastic Cover

3x1



Shelf Support

4x1



Glass Shelf

Ax2



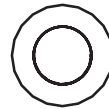
Long Bolts

Bx2



Concrete Anchors

Cx2



Long Bolt Washers

Dx1



M6x12mm  
Shelf Security Bolt

Ex2



M6x8mm  
Bolts

Fx4



Glass Shelf  
Suction Pads

Gx4



Cable Management  
Clips

Hx1



Allen Wrench  
with Phillips End

Ix1



Washer

ID	Qty	Description
1	1	Wall Plate
2	1	Plastic Cover
3	1	Shelf Support
4	1	Glass Shelf
A	2	Long Bolts
B	2	Concrete Anchors

ID	Qty	Description
C	2	Long Bolt Washers
D	1	Shelf Security Bolt
E	2	M6x8mm Bolts
F	4	Glass Shelf Suction Pads
G	4	Cable Management Clips
H	1	Allen Wrench
I	1	Washer

### Step 1: Install the Wall Plate

Read the instructions. Determine the proper location for your wall type. Make sure the mounting location has enough space for the **Glass Shelf (4)** and the **Wall Plate (1)**. Follow the mounting instructions for wood studs or concrete wall installation.



**Do not attach this A/V Component Stand to any wall with Brick or steel stud construction. Attaching this mount to wood or concrete walls requires special tools and hardware to ensure the mount is securely and safely attached to these materials. Brick and concrete will break or crumble if special concrete drill bits and drill operating speeds are not properly used. Consult a professional if you are unsure or have any doubts about the safety of the installation. Personal injury or equipment damage can result if the mount is not properly installed.**

#### Wood stud walls (Fig 1):

1. Use an electronic stud finder to locate the wall studs. Mark their locations on the wall.
2. Place the **Wall Plate (1)** flat against the wall in the desired mounting location, aligning the mounting holes on the bracket with the studs. Use the **Wall Plate (1)** as a template to mark the mounting holes on the wall.
3. Use 3/16" (5mm) drill bit to pre-drill holes at least 2.5" inches (65mm) deep at the marked locations.
4. Use the **Long Bolts (A)** and **Long Bolt Washers (C)** to mount the **Wall Plate (1)** to the wall as shown in Fig. 3. Do not use wall anchors in wood stud walls.
5. Use a level to make sure the **Wall Plate (1)** is perfectly straight and securely tighten the **Long Bolts (A)** using a proper size wrench. Make sure to tighten the top bolt first, then re-check the level before tightening the bottom bolt.

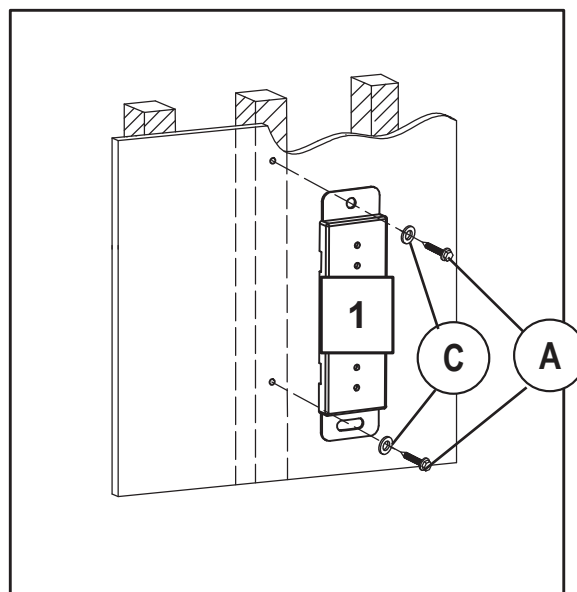
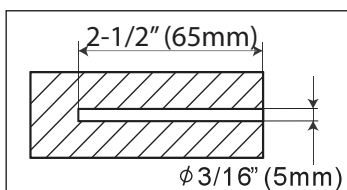


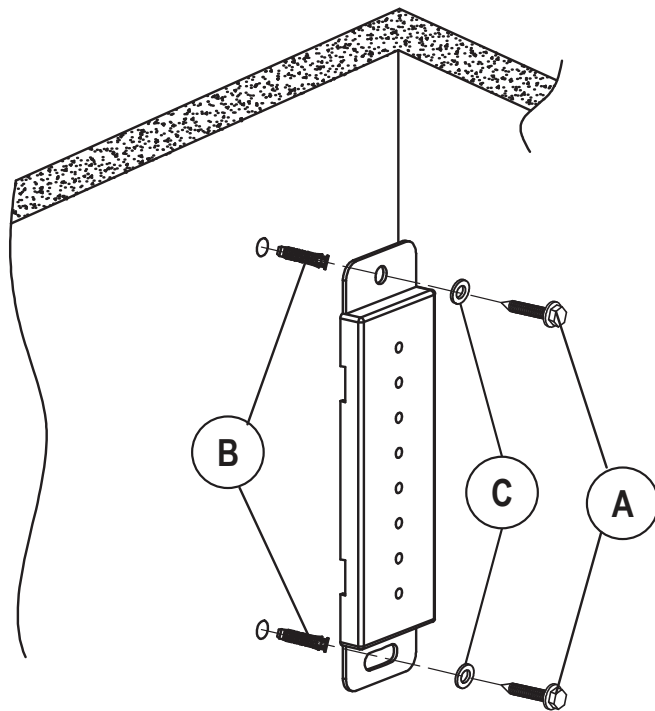
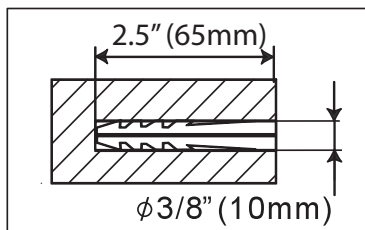
Fig. 3

### Concrete walls: (Fig 4):

1. Place the **Wall Plate (1)** flat against the wall in the desired mounting location. Use the **Wall Plate (1)** as a template to mark the mounting holes on the wall. Make sure that the mounting holes are level and are parallel.
2. Use a 3/8" (10mm) drill bit to pre-drill two holes at least 2.5" (65mm) deep at the marked locations.
3. Insert a **Concrete Anchor (B)** into each pre-drilled hole and lightly tap it with a hammer until the **Concrete Anchor (B)** is flush with the wall.
4. Use the **Long Bolts (A)** and **Long Bolt Washers (C)** to attach the **Wall Plate (1)** to the wall with the **Concrete Anchors (B)** as shown in Fig. 4.
5. Use a level to make sure the **Wall Plate (1)** is perfectly straight and securely tighten the **Long Bolts (A)** using a proper size wrench. Make sure to tighten the top bolt first, then re-check the level before tightening the bottom bolt.



**Do not use the Concrete Anchors (B) for drywall installation. Use of Concrete Anchors for drywall installations can result in personal injury or product damage.**



**Fig. 4**

---

## Step 2: Install the Plastic Cover

Align the four tabs on the **Plastic Cover (2)** with the 4 cut-outs on the **Wall Plate (1)** as shown in Fig. 5. Gently apply pressure until the **Plastic Cover (2)** snaps into position on the **Wall Plate (1)**.

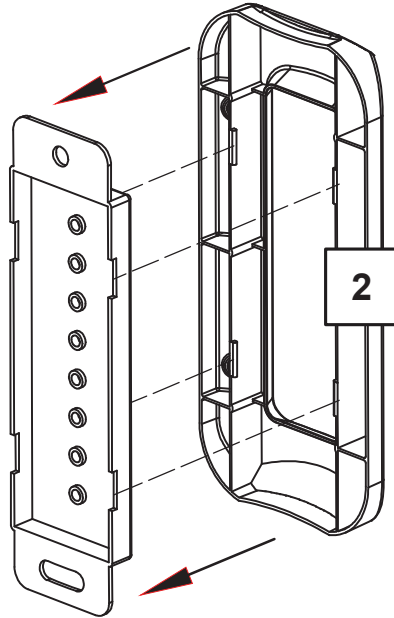


Fig. 5

## Step 3: Install the Glass Shelf Suction Pads

Insert the four **Glass Shelf Suction Pads (F)** into the holes on the **Shelf Support (3)** as shown in Fig. 6.

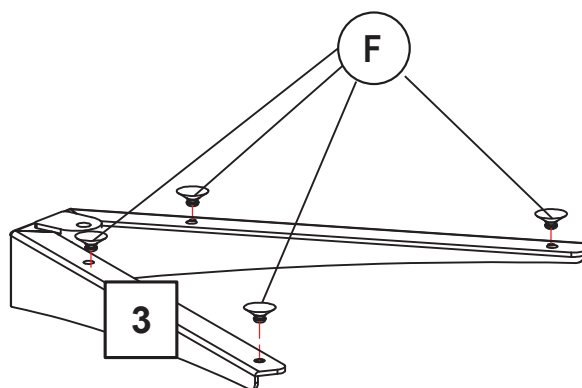


Fig. 6

---

### Step 4: Install the Shelf Support

Attach the **Shelf Support (3)** to the **Wall Plate (1)** using the two **M6x8mm Bolts (E)** and **Allen Wrench (H)** as shown in Fig. 7. Do not overtighten the bolts.

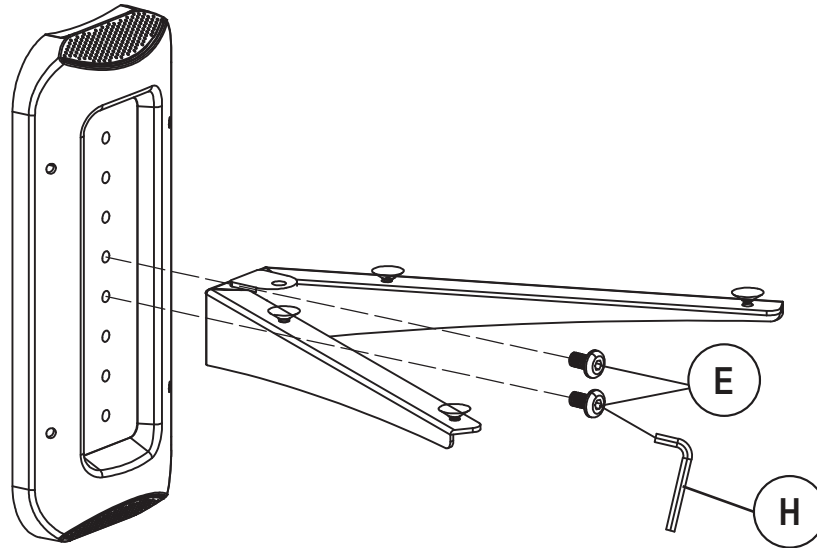


Fig. 7

### Step 5: Install the Glass Shelf

Carefully place the **Glass Shelf (4)** on the **Shelf Support (3)** as shown in Fig. 8.

NOTE: Make sure to align the hole near the rear of the **Glass Shelf (4)** with the hole in the **Shelf Support (3)**

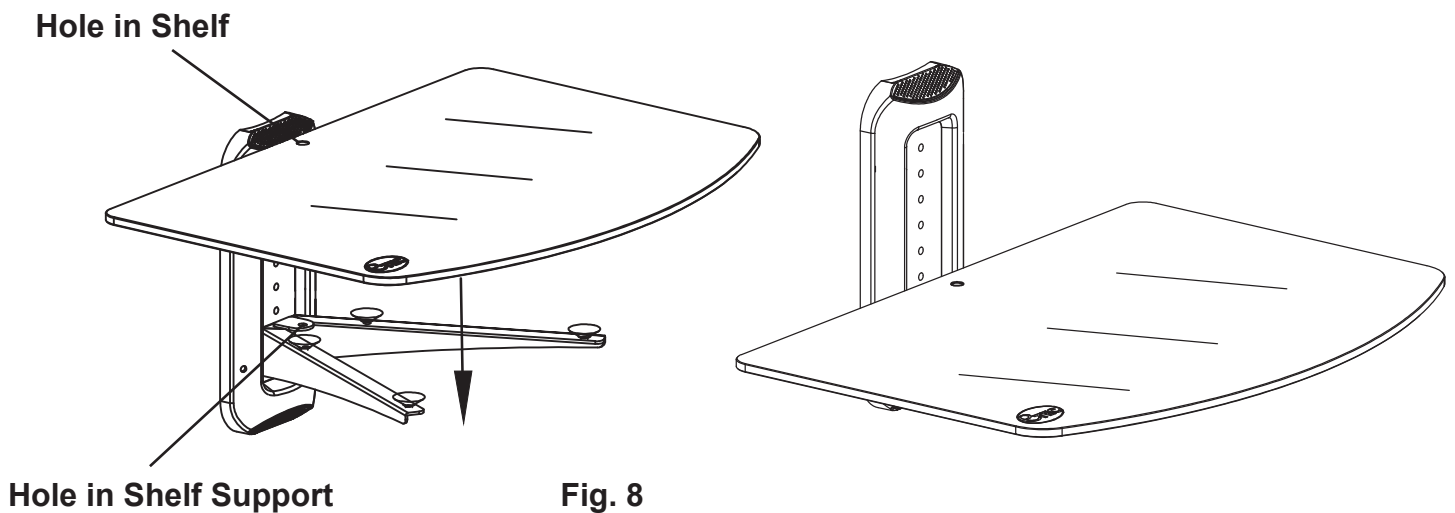


Fig. 8

---

### Step 6: Secure the Glass Shelf

Secure the **Glass Shelf (4)** by inserting the **Washer (I)** and **Shelf Security Bolt (D)** into the hole in the **Glass Shelf (4)** as shown in Fig. 9.

Tighten the **Shelf Security Bolt (D)** using the **Allen Wrench (H)**. Do not overtighten or the glass shelf will break.

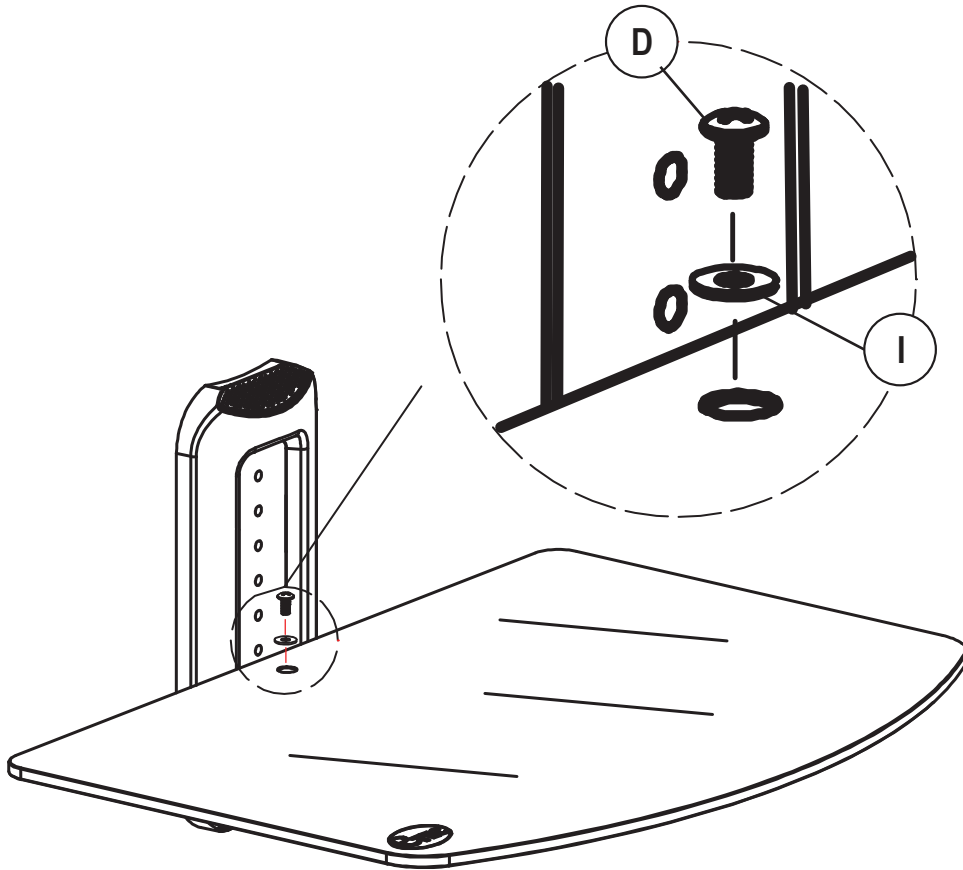


Fig. 9



---

## Step 7: Using the Cable Management System

This A/V Component Stand includes a cable management system which allows cables or cords to be neatly routed along the sides of the **Wall Plate (1)**.

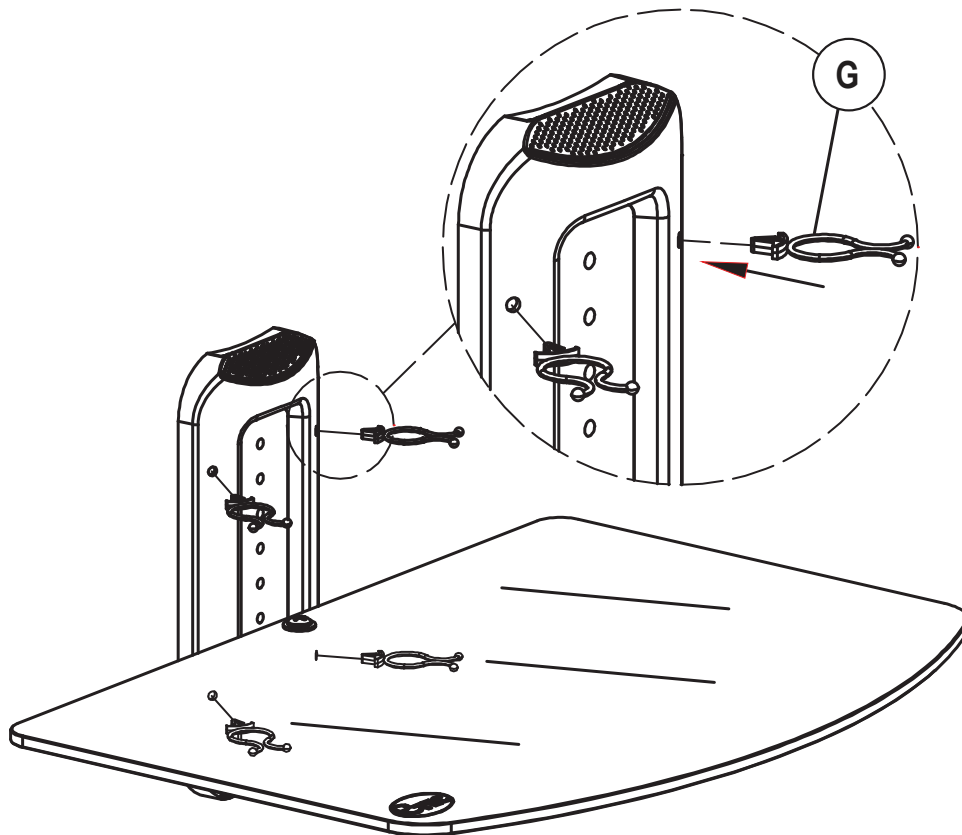
Insert the **Cable Management Clips (G)** into the holes near the sides on the **Plastic Cover (2)** as shown in Fig. 10.

Cables can be routed up or down as there are **Cable Management Clip (G)** spaces 2" above & 2" below each shelf to allow for easy cable management.

NOTE: For best system performance, route the AC power cords separately from the signal cables to keep the power and signal cables from being wrapped around each other.

Once your cables are in place twist the ends of the **Cable Management Clips (G)** to lock the ends of the clips.

**CAUTION:** To avoid possible electrical shock, use **ONLY** your fingers to apply pressure when inserting cables and power cords into the Cable Management Clips (G). **DO NOT** use any kind of tool for this step.



This page is intentionally left blank



## **LIMITED SIX-YEAR WALL MOUNT WARRANTY**

We warrant this product to you, the original purchaser at the time of purchase printed on a dated store receipt from an authorized ETEC retailer and for a period of six-years thereafter that our wall mount product and all its parts and components are free of defects in material and workmanship under normal use. This warranty is subject to the provisions below. ETEC's sole obligation and the purchaser's exclusive remedy pursuant to these warranties are limited to replacement at ETEC's sole discretion. There are no other warranties except as expressly set forth below either expressed or implied, including any warranty of merchantability for any particular purpose.

Should you be missing any of the assembly parts or components (screws, pieces, etc.), please contact the Customer Support Center to secure a replacement. It is not necessary to bring the unit back to the store. When calling, please reference the parts list found in the Instruction Manual to help us accurately identify the missing parts and promptly provide replacements.

For technical support, visit our website [www.sibrandssupport.com](http://www.sibrandssupport.com) or call the ETEC Technical Support Center for technical assistance or troubleshooting at 1-855-994-3832, Monday to Saturday, 10:00AM to 7:00PM EST.

This warranty is expressly limited to the replacement of wall mount parts and components described in the parts list located in the Instruction Manual included with the product.

This warranty applies under conditions of normal use.

This warranty does not cover: any product, which has been subject to damage due to improper assembly or disassembly, products which were not assembled, installed, used, or maintained in accordance with the product assembly instructions & warnings, acts of nature, misuse, neglect, accidents, abuse, exposure to elements, outdoor use, extreme temperature ranges, damage during transit, commercial use, modification of, or to any part of the product or attachments to the product not approved by ETEC. Also not covered are costs for assembly/dis-assembly labor, costs incurred in shipping the unit or parts for warranty repair/exchange or any products purchased from unauthorized ETEC sellers. Under no circumstances shall ETEC, be liable for any loss (direct, indirect, incidental, foreseen, unforeseen, special or consequential) or for any damage arising out of, or in connection with, the use of this product. Nor shall ETEC have any responsibility for incidental or consequential damages resulting from the breach of this warranty including but not limited to inconvenience, purchase or rental of replacement products, loss of profits or commercial loss.

We reserve the right to request damaged parts or units be shipped to our offices for inspection or confirmation of any warranty claims.

This warranty does not cover product sold 'As Is'.

This warranty is valid only to the original purchaser of the Product in the United States and Canada and grants specific legal rights.

**Schoenfeld International Inc. and ETEC**  
5001 American Boulevard West  
Suite 275  
Bloomington, MN 55437

©Schoenfeld International Inc. 2017  
PN: EXSS117 Rev 1.0 May 2017