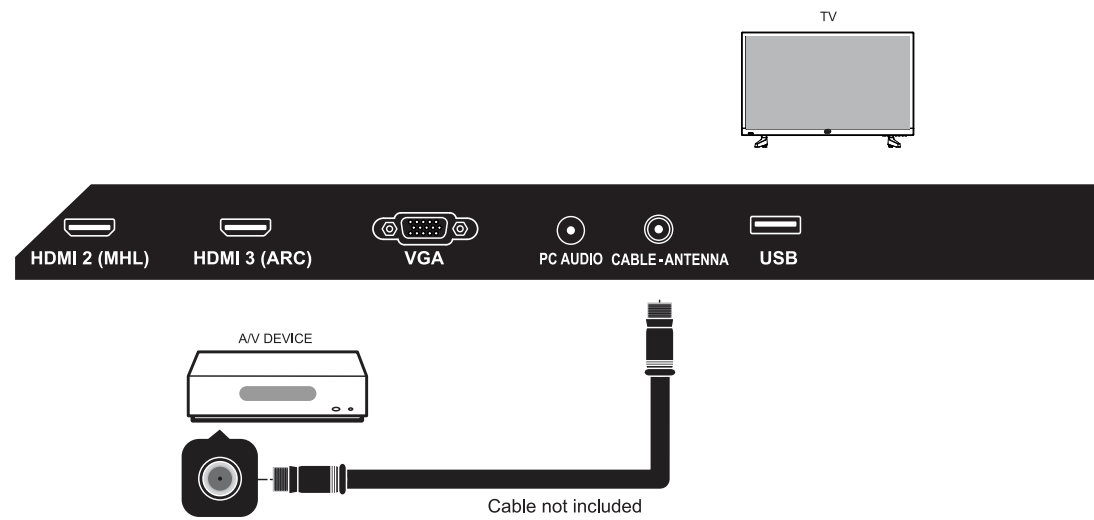
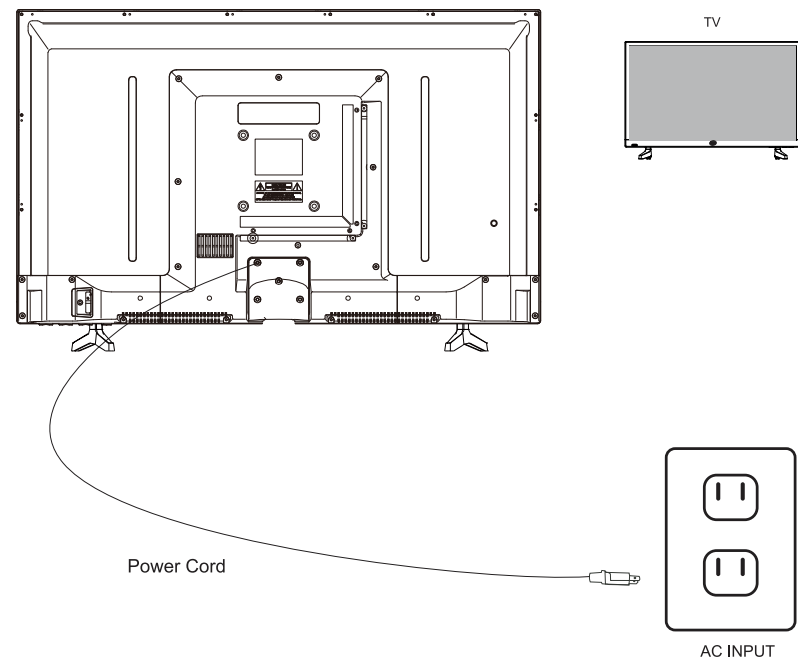


Basic Connection

Coaxial / RF Cable / Antenna



Connect Power Cord

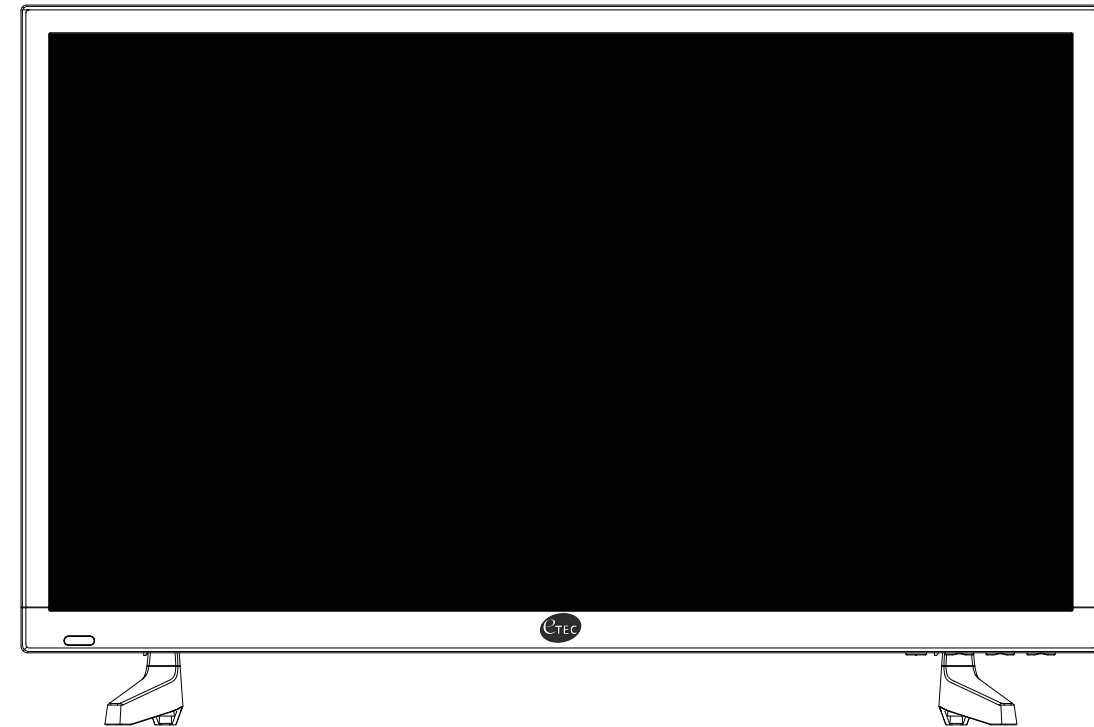


Press the **POWER** button on the remote control to turn on the TV

QUICK START GUIDE



Simple Steps for Connecting your TV to A/V Devices



**IMPORTANT NOTE:**

During setup, do NOT run the “Channel Auto Scan” function if your TV is connected to a Cable or Satellite set top box.

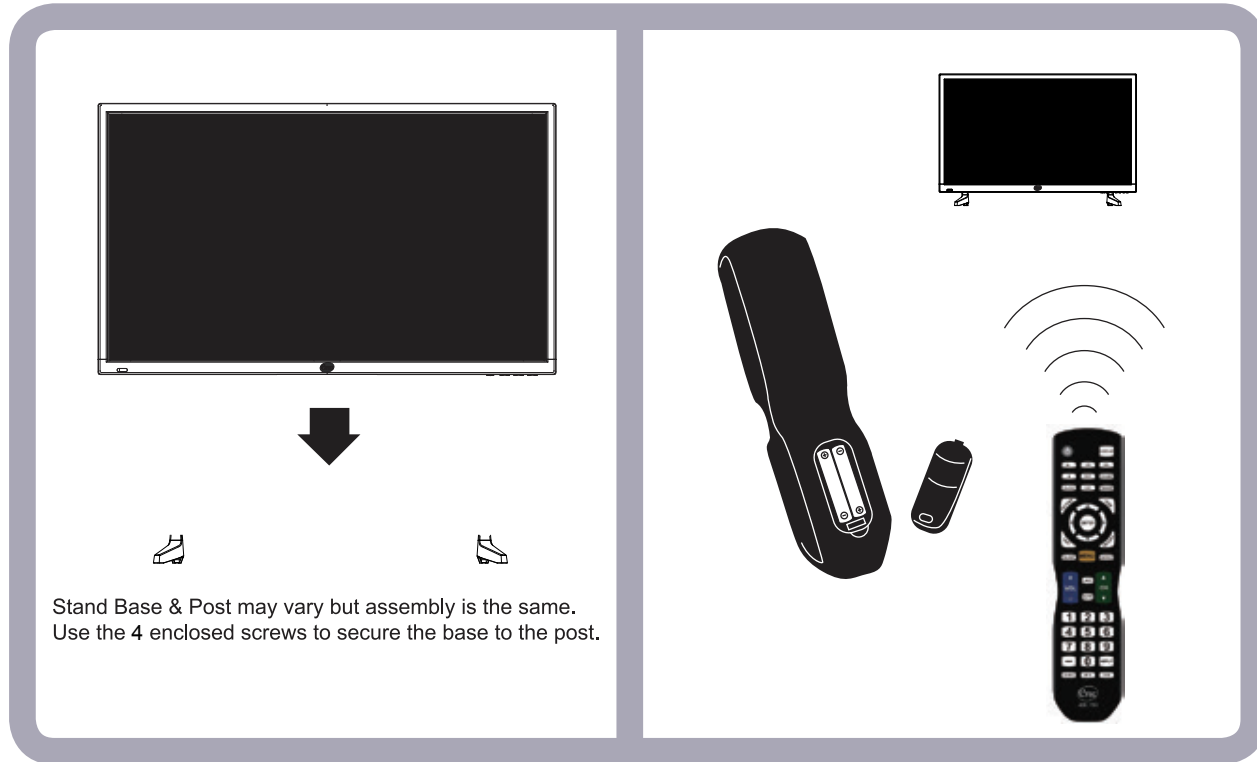
For technical support, the ETEC Technical Support Center is available 10:00AM to 7:00PM (Monday to Saturday) for technical assistance or troubleshooting. To contact us by phone, please call 1-855-994-3832.

**A/V Devices Include:**

- Blu-ray® Disc Players
- DVD Players
- Cable, Satellite, or Set-Top Boxes
- VCRs
- Game Consoles

If you need additional help, please consult your user manual.

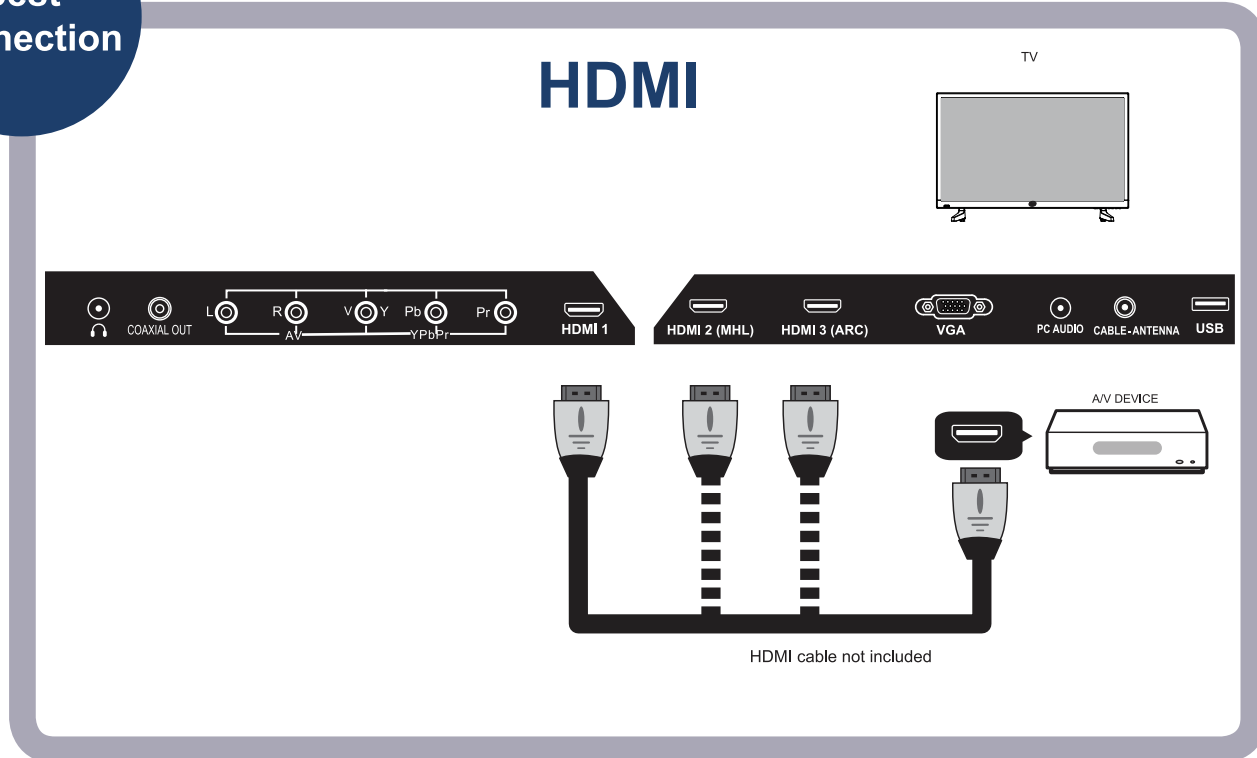
**Insert the TV into the base and securely attach.  
Install the batteries in the Remote Control**



Stand Base & Post may vary but assembly is the same.  
Use the 4 enclosed screws to secure the base to the post.

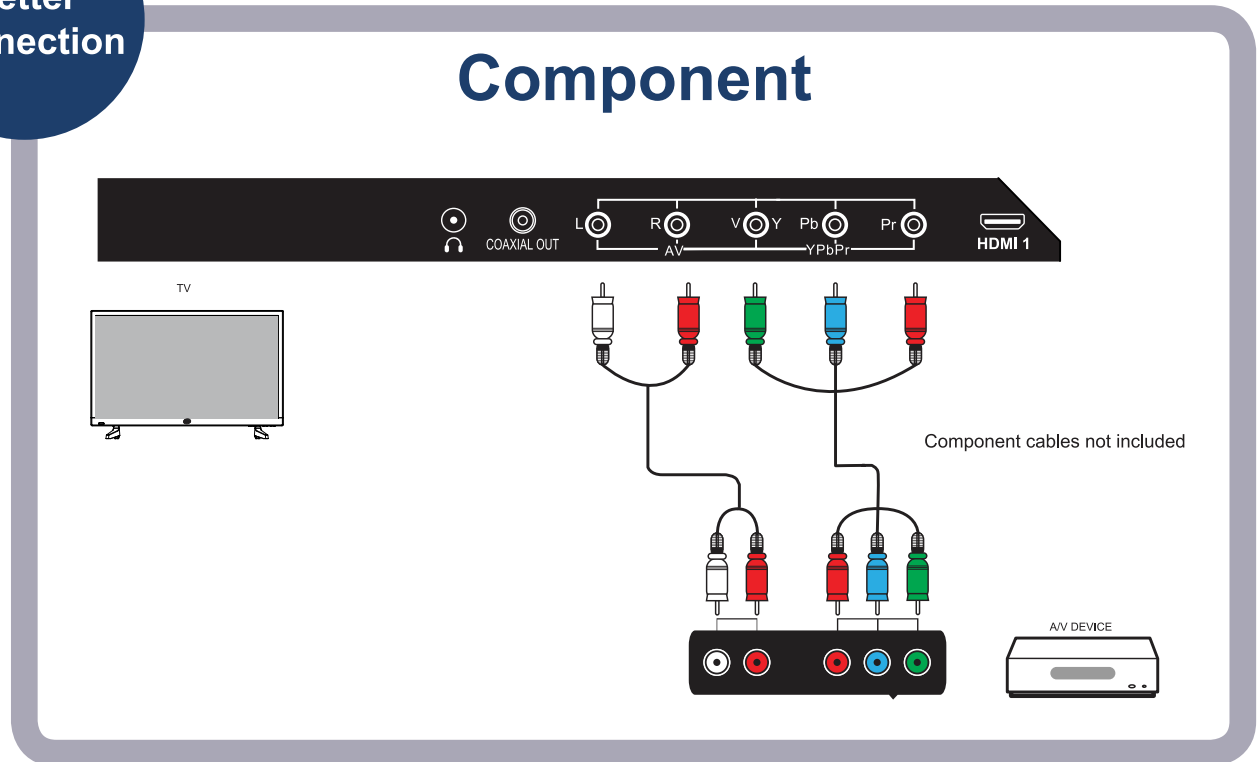
To operate this TV using the remote control provided by your Cable / Satellite provider, follow the programming instructions included with the providers' remote control and input the following codes when prompted;  
 -For Comcast or DirecTV remote controls, input the code- 10030  
 -For AT&T ( U-verse ) Remote Controls, input the code- 1043  
 -For RCA Universal Remote Controls, input the code- 0030  
 -For Dish Network Remote controls, input the code- 506

**Best Connection**



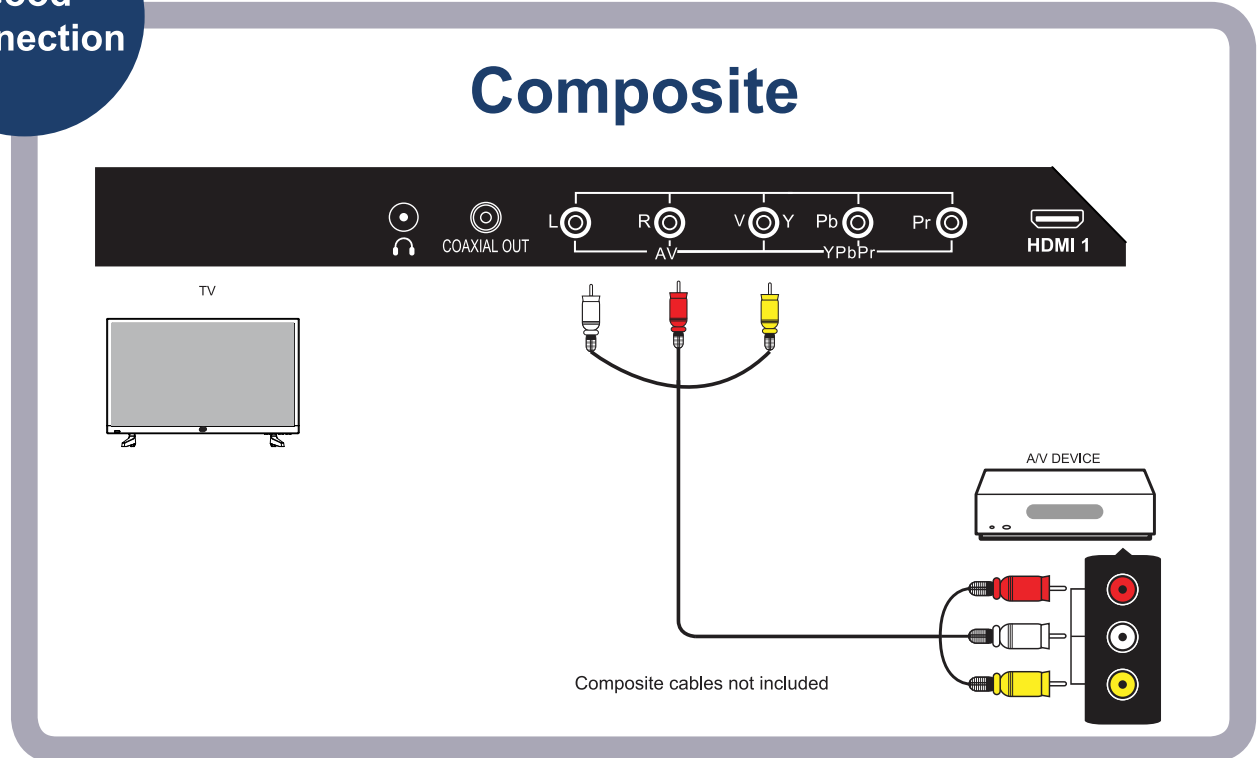
HDMI cable not included

**Better Connection**



Component cables not included

**Good Connection**



Composite cables not included

**For technical support, the ETEC Technical Support Center is available 10:00AM to 7:00PM (Monday to Saturday) for technical assistance or troubleshooting.  
To contact us by phone, please call 1-855-994-3832.**