



43EF20  
Ver 1.0




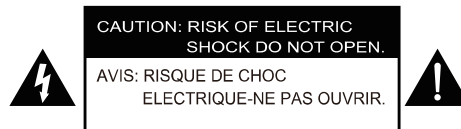
USER'S MANUAL  
**43" LED TELEVISION**

For technical assistance or troubleshooting  
please call 1.855.884.2822 or visit [www.cibrandesupport.com](http://www.cibrandesupport.com)



# Important Safety Instructions

1. Read these instructions.
2. Keep these instructions.
3. Heed all warnings.
4. Follow all instructions.
5. Do not use this apparatus near water.
6. Clean only with dry cloth.
7. Do not block any ventilation openings. Install in accordance with the manufacturer's instructions.
8. Do not install near any heat sources such as radiators, heat registers, stoves, or other apparatus (including amplifiers) that produce heat.
9. Do not defeat the safety purpose of the polarized or grounding-type plug. A polarized plug has two blades with one wider than the other. A grounding type plug has two blades and a third grounding prong. The wide blade or the third prong are provided for your safety. If the provided plug does not fit into your outlet, consult an electrician for replacement of the obsolete outlet.
10. Protect the power cord from being walked on or pinched particularly at plugs, convenience receptacles, and the point where they exit from the apparatus.
11. Only use attachments / accessories specified by the manufacturer.
12. Use only with the cart, stand, tripod, bracket, or table specified by the manufacturer, or sold with the apparatus. When a cart is used, use caution when moving the cart / apparatus combination to avoid injury from tip-over.
13. Unplug this apparatus during lightning storms or when unused for long periods of time. 
14. Refer all servicing to qualified service personnel. Servicing is required when the apparatus has been damaged in any way, such as power-supply cord or plug is damaged, liquid has been spilled or objects have fallen into the apparatus, the apparatus has been exposed to rain or moisture, does not operate normally, or has been dropped.
15. **WARNING:** To Reduce The Risk Of Fire Or Electric Shock, Do Not Expose This Apparatus To Rain Or Moisture.
16. Apparatus shall not be exposed to dripping or splashing and no objects filled with liquids, such as vases, shall be placed on the apparatus.
17. The mains plug is used as the disconnect and shall remain readily operable.
18. This TV is not designed for outdoors installation. Do not expose the TV to rain, as it may result in a fire or an electric shock. Also, do not expose the TV to direct sunlight, as it may heat up and become damaged.



## Safety:

TO REDUCE THE RISK OF ELECTRICAL SHOCK DO NOT REMOVE COVER (OR BACK). NO USER SERVICEABLE PARTS ARE INSIDE. REFER TO QUALIFIED SERVICE TECHNICIAN ONLY.



Dangerous Voltage: The lightning flash with arrowhead symbol, within an equilateral triangle, is intended to alert the user to the presence of uninsulated "dangerous voltage" within the product's enclosure that may be of sufficient magnitude to constitute a risk of electric shock to the users.



Instruction: The exclamation point within an equilateral triangle is intended to alert the user to the presence of important operating and servicing instructions in the literature accompanying the appliance.

# Safety Instructions

Please read these instructions carefully.

This product complies with all applicable US federal safety requirements, as well as those of the Canadian Standards Association.

## **1. Cleaning**

Always unplug the TV before cleaning. Do not use liquid or aerosol cleaners. Use a soft, slightly damp cloth to clean.

## **2. Water and Moisture**

Do not use this TV near water. Avoid using this TV in an excessively damp environment.

## **3. Stand**

This TV should always be placed on a solid, sturdy surface.

## **4. Ventilation**

To prevent overheating, do not block or obstruct the vent openings on the TV's back panel. Also, avoid placing this TV in a confined area with poor air flow.

## **5. Power Sources**

This TV should be operated only from the type of power source indicated on the marking label. If you are not sure of the type of power supply to your home, consult your electronics retailer or local power company.

## **6. Power Cord Polarization**

This TV is equipped with a three-wire grounding type plug, a plug with a third (grounding) pin. As a safety feature, this plug will only fit into a grounded power outlet. If you are unable to insert the plug into the outlet, contact your electrician to replace the obsolete outlet. Do not defeat the safety purpose of the grounding-type plug.

## **7. Power Cord Protection**

Power-supply cords should be routed so that they are not likely to be walked on or pinched by items placed upon or against them. Pay particular attention to cords at plugs, convenience receptacles, and the point where they exit from the TV.

## **8. Lightning**

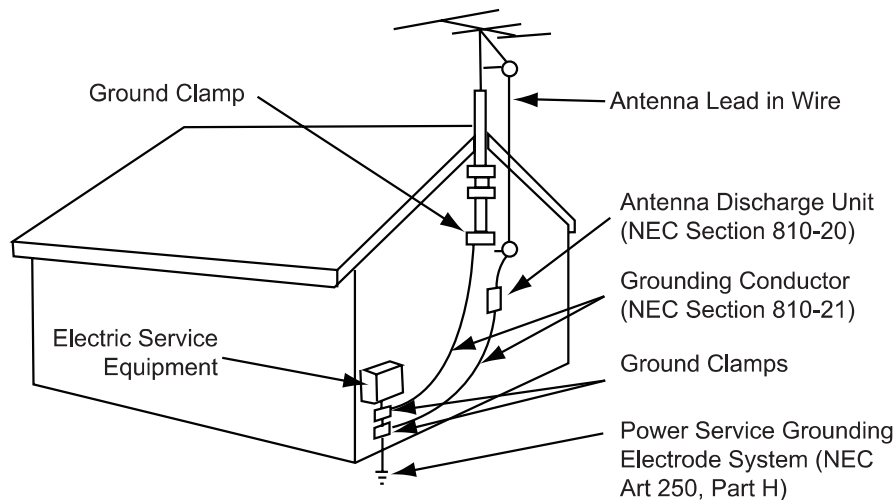
To protect the TV during a lightning storm, or when it is left unattended and unused for long periods of time, unplug it from the wall outlet and disconnect the antenna or cable system. This will prevent damage to the TV from lightning and power-line surges.

# Safety Instructions

## 9. Outdoor Antenna Grounding

If an outside antenna or cable system is connected to the TV be sure the antenna or cable system is grounded so as to provide some protection against voltage surges and built up static charges. Article 810 of the National Electrical Code (U.S. A.), ANSI / NFPA 70 provides information with regard to proper grounding of the mast and supporting structure, grounding of the lead-in wire to an antenna discharge unit, size of grounding conductors, location of antenna-discharge unit, connection to grounding electrodes, and requirements for the grounding electrode.

*Example of Grounding According to National Electrical Code Instructions*



NEC - National Electrical Code

## 10. Power Lines

An outside antenna system should not be located in the vicinity of overhead power lines or other electric light or power circuits, or where it can fall on to power lines or circuits. When installing an outside antenna system, extreme care should be taken to keep from touching such power lines or circuits as contact with them might be fatal.

## 11. Overloading

Do not overload wall outlets and extension cords as this can result in a risk of fire or electric shock.

## 12. Object and Liquid Entry

Never push objects of any kind into this TV through openings as they may touch dangerous voltage points or short-out parts that could result in a fire or electric shock. Never spill liquid of any kind on or inside the TV.

## 13. Servicing

Do not attempt to service this TV yourself as opening or removing covers may expose you to dangerous voltage or other hazards. Refer all servicing to a qualified service technician.

## 14. Damage Requiring Service

Unplug from the wall outlet and refer servicing to a qualified service technician under the following conditions:

- If the power-supply cord or plug is damaged.
- If liquid has been spilled, or objects have fallen into the product.
- If the TV has been exposed to rain or water.
- If the TV does not operate normally by following the operating instructions. Adjust only those controls that are covered by the operating instructions as an improper adjustment of other controls may result in damage and will often require extensive work by a qualified technician to restore the product to its normal operation.
- If the TV has been dropped or the cabinet has been damaged.
- If the TV exhibits a distinct change in performance.

## 15. Replacement Parts

When replacement parts are required, be sure that only an authorized service technician has used replacement parts specified by the manufacturer or have the same characteristics as the original part. Unauthorized substitutions may result in fire, electric shock, or other hazards and void any warranty.

# Safety Instructions

## 16. Safety Check

Upon completion of any service or repairs to this TV, ask the service technician to perform safety checks to determine whether the product is in proper operating condition.

## 17. Wall Mounting

The TV should be mounted to a wall only by a professional. The TV may slide or fall, causing serious injury to a child or adult, and serious damage to the product. Warranty shall be voided.

Wall hanging height of the whole machine shall not exceed 2m.

## 18. Heat

The TV should be situated away from heat sources such as radiators, heat registers, stoves, or other products (including amplifiers) that produce heat.

## 19. Remote Control

Do not expose the remote control to liquids, direct sunlight or sources of excessive heat.

## NOTE TO CABLE / TV INSTALLER:

This reminder is provided to call the CATV system installer's attention to Article 820-40 of the National Electric Code (USA). The code provides guidelines for proper grounding and, in particular, specifies that the cable ground should be connected to the grounding system of the building, as close to the point of the cable entry as practical.

## FCC REGULATORY INFORMATION:

This television has been tested and found to comply with the limits for a Class B digital device, pursuant to Part 15 of the FCC Rules. These limits are designed to provide reasonable protection against harmful interference in a residential installation. This television generates, uses and can radiate radio frequency energy and, if not installed and used in accordance with the instructions, may cause harmful interference to radio communications. However, there is no guarantee that interference will not occur in a particular installation. If this television does cause interference to other electronic equipment, which can be determined by turning the television off and on, then the user is encouraged to try to correct the interference by one or more of the following measures:

- Reorient or relocate the receiving antenna.
- Increase the separation between the equipment and television.
- Connect the equipment into an outlet on a circuit different from that to which the television is connected.
- Consult your dealer or an experienced radio / TV technician for assistance.


Any changes or modifications not expressly approved by the party responsible for compliance may void the user's authority to operate the equipment.

### Stability Hazard

Never place a television set in an unstable location. A television set may fall, causing serious personal injury or death. Many injuries, particularly to children, can be avoided by taking simple precautions such as:

- Using cabinets or stands recommended by the manufacturer of the television set.
- Only using furniture that can safely support the television set.
- Ensuring the television set is not overhanging the edge of the supporting furniture.
- Not placing the television set on tall furniture (for example, cupboards or bookcases) without anchoring both the furniture and the television set to a suitable support.
- Not placing the television set on cloth or other materials that may be located between the television set and supporting furniture.
- Educating children about the dangers of climbing on furniture to reach the television set or its controls.

If your existing television set is being retained and relocated, the same considerations as above should be applied.

-  This equipment is a Class II or double insulated electrical appliance. It has been designed in such a way that it does not require a safety connection to electrical earth.

# Table of Contents

Important Safety Instructions.....	1
Table of Contents .....	5
Introduction.....	6
<b>Remote Control</b>	
Battery Install.....	7
Overview .....	8
<b>TV Overview</b>	
Front Panel .....	10
Rear Panel & Pedestal Removal.....	11
<b>Installation</b>	
Connection to Antenna & Cable / Satellite Box .....	12
Connection to HDMI Input .....	13
Connection to Component YPbPr Input .....	14
Connection to Composite Input.....	15
Connection to a Personal Computer .....	16
Connection to a Home Theater System .....	17
<b>TV Setup</b>	
Initial Setup Wizard .....	18
TV Provider Setup & Channel Auto Scan.....	19
<b>Picture Setting</b>	
Brightness .....	20
Contrast .....	20
Color.....	20
Tint.....	20
Sharpness .....	20
Color Temperature.....	20
<b>Audio Settings</b>	
Sound Mode .....	21
Bass.....	21
Treble .....	21
Balance .....	21
Surround sound.....	21
SPDIF Type.....	21
Audio Language.....	21
Date & Time Settings.....	22
<b>Setup Settings</b>	
Menu Languages.....	23
Transparency.....	23
Restore Default.....	23
HDMI CEC .....	23
CEC.....	24
Closed Captions .....	25
Parental Control .....	26
<b>TV Settings</b>	
Favorite .....	28
Show / Hide .....	28
Channel Label .....	28
USB Modes .....	29
MHL Setting .....	30
Specifications .....	31
Troubleshooting .....	32

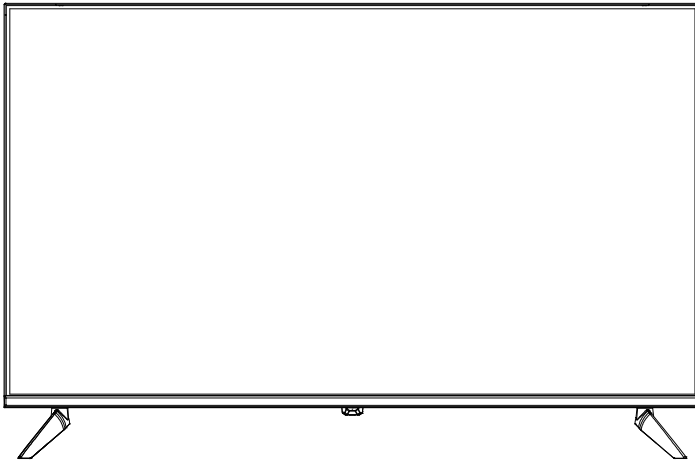
# Introduction

## What's In The Box

Thank you for purchasing the energy efficient 43EF20 television. It has been designed to enjoy today's high definition television experience. With a display resolution of 43"1920X1080 you are assured of one of the finest quality televisions available today.

Your television provides both analog and digital inputs including one (1) High Definition Multimedia Interface (HDMI) interconnects for the purest audio and video digital signal when connected to compatible HD sources (ie: HD set-top box, high definition DVD player or gaming console).

We recommend that you read the user manual thoroughly before use to familiarize yourself with the installation and adjustment options available to you; thereby, enjoying all the features of the 43EF20 for many years to come.



The 43EF20 package includes the following items. Save the carton & packing for future shipping

- **Remote Control**
- **AAA Batteries (2)**
- **Quick Start Guide**
- **User Manual**
- **Child Safety**
- **Pedestal Base**



- Remote Control
- AAA Batteries x 2



- User manual
- Quick Start Guide
- Child Safety



- Pedestal Base

## Wall Mount Information

This TV uses a 200x100 VESA mounting bracket attachment pattern. Please take this information with you when purchasing a wall mount for this TV.



# Remote Control

## Battery Install

Your remote control handset is powered by two (2) AAA type batteries



- Turn the remote over and remove battery cover.



- Place two (2) "AAA" batteries into the battery compartment with the "+" and "-" ends facing as indicated.



- Replace the cover

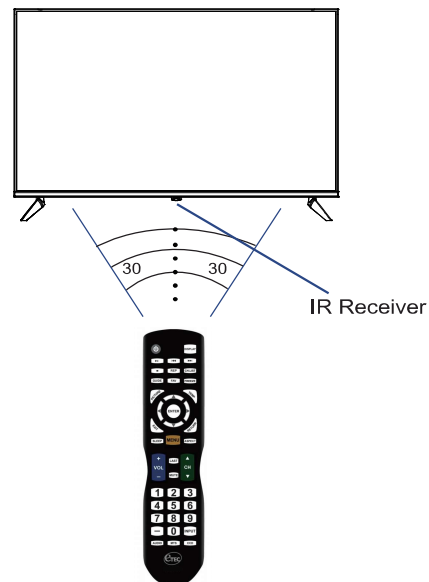
- Effective remote range is approximately 16 feet at an angle of no greater than 30° to the left / right or 20° up / down to the IR sensor.

- To avoid possible damage from battery chemical leakage, remove the batteries if you do not plan to use the remote for an extended period of time. Do not mix batteries of different age and / or type. Always discard used batteries safely.

- Do not expose the remote control to liquids, direct sunlight or sources of excessive heat.

- The IR receiver on the TV will not work properly if the set is in direct sunlight.

NOTE: Improper use of batteries can result in a chemical leakage or explosion.



### Cable / Satellite Remote Control Codes:

**NOTE:** The remote control from your Cable/Satellite provider can be programmed to operate most of the major functions of this TV model which include: **POWER, INPUT / SOURCE, VOLUME +, VOLUME - , CHANNEL +, CHANNEL - , SELECT/OK/ENTER** (based on your remote), and **NUMBER** buttons. For non-major TV functions not listed, use the remote control included with this TV.

To program your Cable / Satellite remote to operate this TV, follow the programming instructions included with your providers' remote and use the following codes.

Comcast / Xfinity: 10030, 12731

DirecTV: 10030, 12731

AT&T (U-verse) : 1043

Optimum: 0040

Dish Network : 506

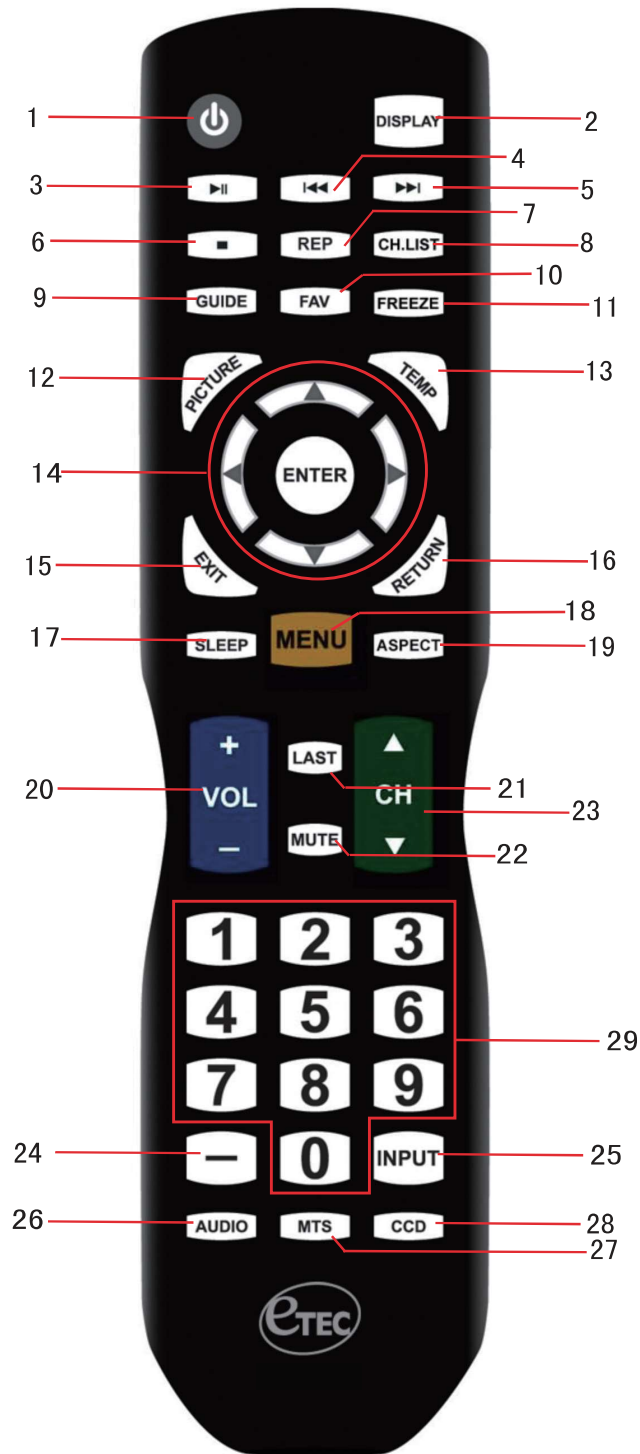
Spectrum / Time Warner: 761

RCA Universal : 0030

Cox: 2397, 2049, 10030, 12731

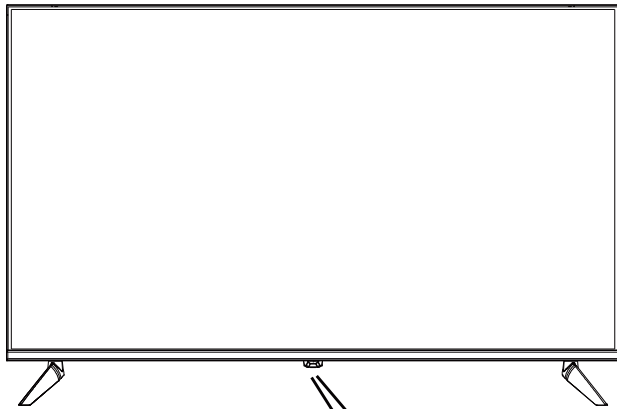
# Remote Control

## Overview

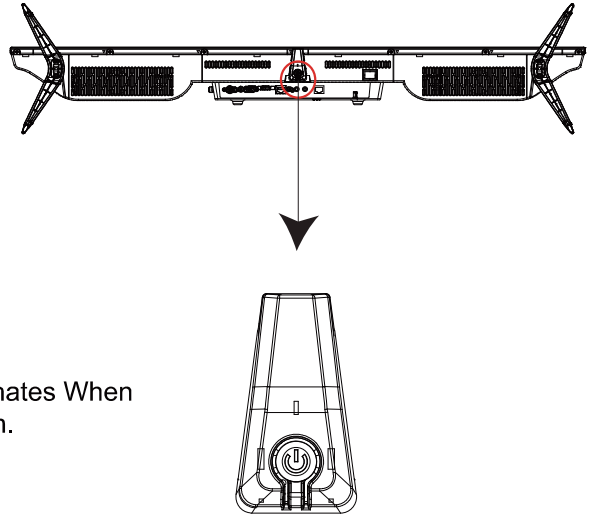



# Remote Control Overview

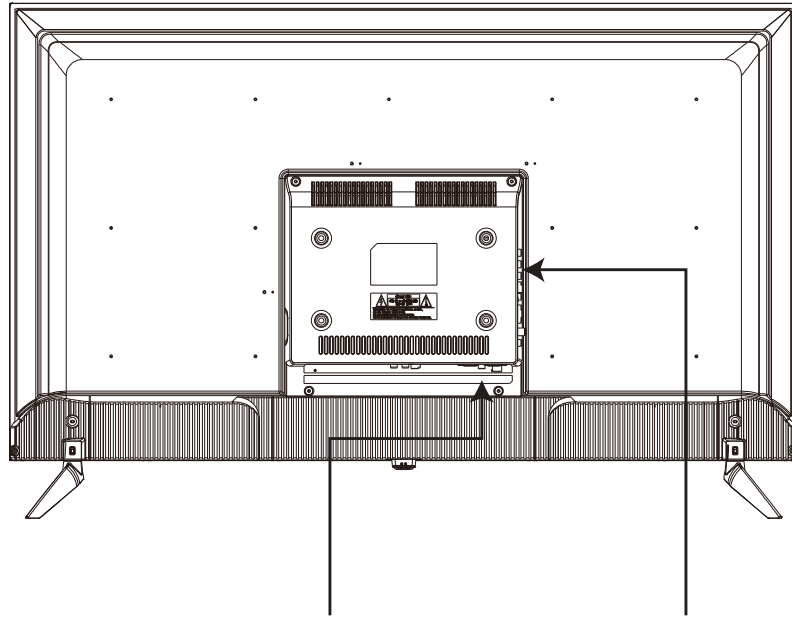
Button	Function
1. POWER	Turn the display ON or OFF (Standby).
2. DISPLAY	Provides program information for program being viewed.
3. ►	PLAY/PAUSE (USB)
4. ◀◀	PREVIOUS (USB)
5. ▶▶	NEXT (USB)
6. ■	STOP (USB)
7. REP	REPEAT (USB)
8. CH.LIST	Press to display a list of channels saved in the TV tuner memory.
9. GUIDE	Press to review scheduled programming for the currently viewed channel.
10. FAV	Press to display a listing of your favorite TV channels.
11. FREEZE	Pause and still-frame the current image on the display. Press again for live TV.
12. PICTURE	STANDARD - DYNAMIC - SOFT - USER - POWER SAVING.
13. TEMP	Select the Color Temperature COOL - NORMAL - WARM.
14. ▼▲◀▶ARROWS / ENTER	Press the navigation buttons for moving through the menu options. Press the ENTER button to select / confirm.
15. EXIT	Press to exit a displayed menu.
16. RETURN	Press to return to the previous menu.
17. SLEEP	Press to activate the Sleep function. The TV will automatically turn off after; 5 - 10 - 15 - 30 - 45 - 60 - 90 - 120 - 180 - 240(minutes) - OFF.
18. MENU	Press to display the Main menu.
19. ASPECT	Select the viewable display aspect options: NORMAL - WIDE - ZOOM - CINEMA.
20. VOLUME (+ / -)	Adjust the volume up (+) or the volume down (-).
21. LAST	Press to switch between the current channel and previously viewed channel.
22. MUTE	Press to temporarily turn off the TV audio. Press again to resume.
23. CHANNEL (▼▲)	Change the channel up or down.
24. NUMBERS / DASH	Select desired TV channel directly. For example: to select digital channel 4-1, press "4", press "-", and press "1" = (4-1).
25. INPUT	Press to display all of the input sources on screen.
26. AUDIO	Standard - Music - Movie - User
27. MTS	Press to select a program's second audio channel (if available).
28. CCD	Press to select closed caption subtitles (if available) OFF - ON - CC ON MUTE
29. NUMBER KEYS	Press number keys to enter channel numbers.



IR Receiver  
A Green/Blue light illuminates When  
the television power is on.



1.  / **POWER** - Press the **POWER** button to turn the TV ON/ OFF (standby). The screen image will appear within a few seconds, and the LED will turn on.



## Wall Mounting

It is recommended that you consult a professional before mounting this TV a wall. Use VESA 200 x 100 wall mount hardware.

Wall mount screws size: 4 x (M5 x 8)

NOTE: You must remove the pedestal before wall mounting.

**1. Headphone Jack** - Connect a stereo headphone (not included) for private listening.

**2. SPDIF** - Connect an optional coaxial digital cable (not included) through a compatible amp / receiver to enjoy superior audio sound.

**3. AV Input** - Connect an external device to the composite VIDEO(Y) and AUDIO (L / R) out jacks found on most video equipment.

**4. Component Y Pb Pr Input** - Connect to an AV device that features component (Y Pb Pr) video and audio output jacks.

**5. HDMI Input** - Connects to digital AV equipment that feature HDMI connectivity. HDMI supports enhanced high definition video and up to 7.1-channel digital audio all from one cable. Recommended for best performance. HDMI cable not included.

**6. PC IN - VGA Input** - Connect an optional VGA cable (not included) from your personal computer.

**PC Audio Input** - Audio cable (not included) for sound.

**7. RF Input** - Connect an antenna or cable connection for television reception. Note: Use an outdoor antenna, cable or satellite for best reception.

**8. USB Input Port** - Connect to portable USB device such as USB flash / hard drive, supports MP3 and JPEG.

# Installation

## Connection to Antenna & Cable / Satellite Box

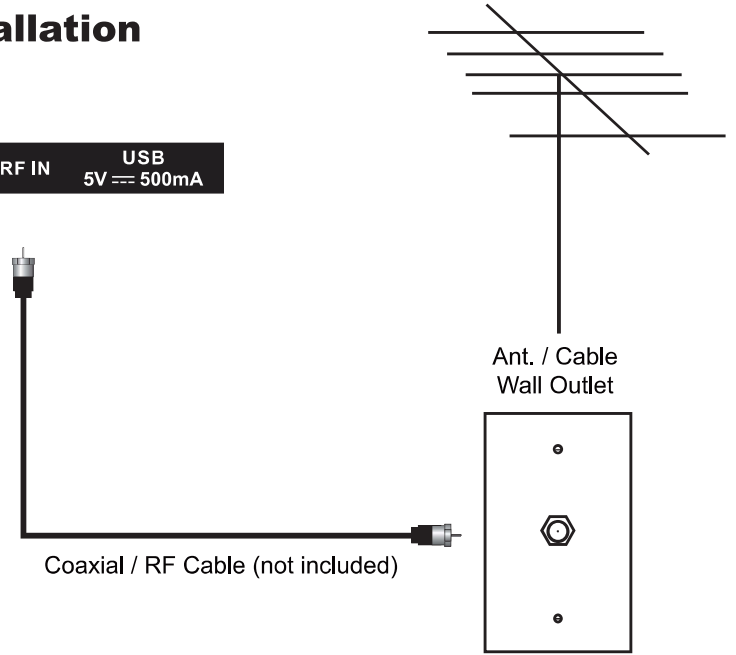
It is strongly recommended that the installation of a high quality roof top antenna, digital cable, or satellite set top box be used in conjunction with your television for best broadcast reception. For indoor use, we recommend an Apex Digital amplified HDTV antenna. Note: reception is determined by your regional location, geographical terrain, distance from the local broadcast transmitter and strength of antenna.

### Roof Antenna / Cable Outlet Installation



#### How to connect with an indoor or rooftop antenna

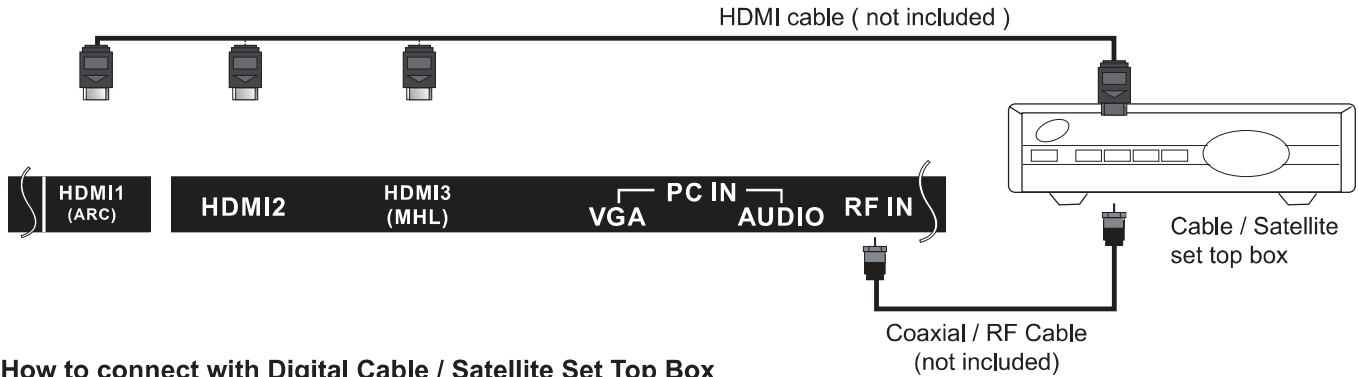
- Connect the RF coaxial (75 ohm) cable from your existing roof top / in door antenna, or wall outlet. Finger tighten the Coaxial / RF Cable end to the TV input on the panel.
- Tune to TV programming directly from the television tuner.



# Installation

## Connection to HDMI Input

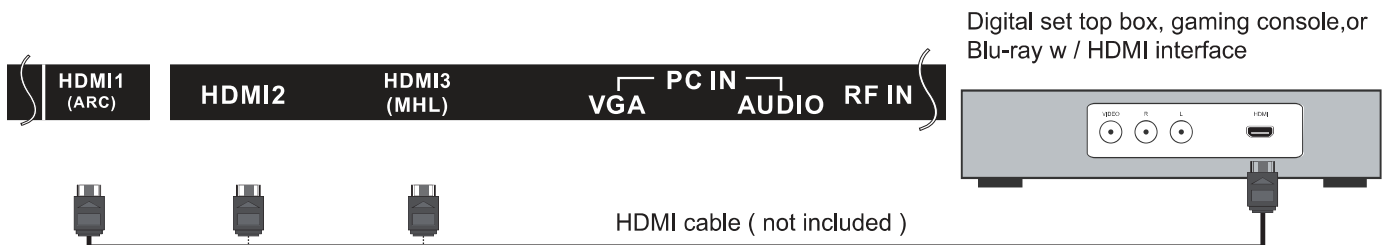
### Digital Cable / Satellite Set Top Box



#### How to connect with Digital Cable / Satellite Set Top Box

- Connect the RF coaxial (75 ohm) cable from the video outlet of your cable / Satellite box to the RF input on the TV's panel. Select Ch. 3 or 4 on the TV and select a channel.
- For greater performance, if possible, use component or an HDMI installation(shown). Refer to your set top box user manual.

### Connecting to an HD Set-Top Box or High Definition DVD Player Using HDMI



#### For BEST video performance

Connect to external equipment that offers HDMI, an uncompressed, all digital video / audio interface found on today's HD digital set top boxes and Blu-ray players. Use of this pure digital technology offers enhanced high definition video and digital audio all via a single cable.

There are three (3) HDMI inputs available for use with HD set top boxes, gaming consoles and HD DVD / Blu-ray players.

#### How to Connect HDMI

- From your external digital equipment, connect an HDMI cable from the HDMI output to the HDMI input on the TV's panel.

#### How To Use

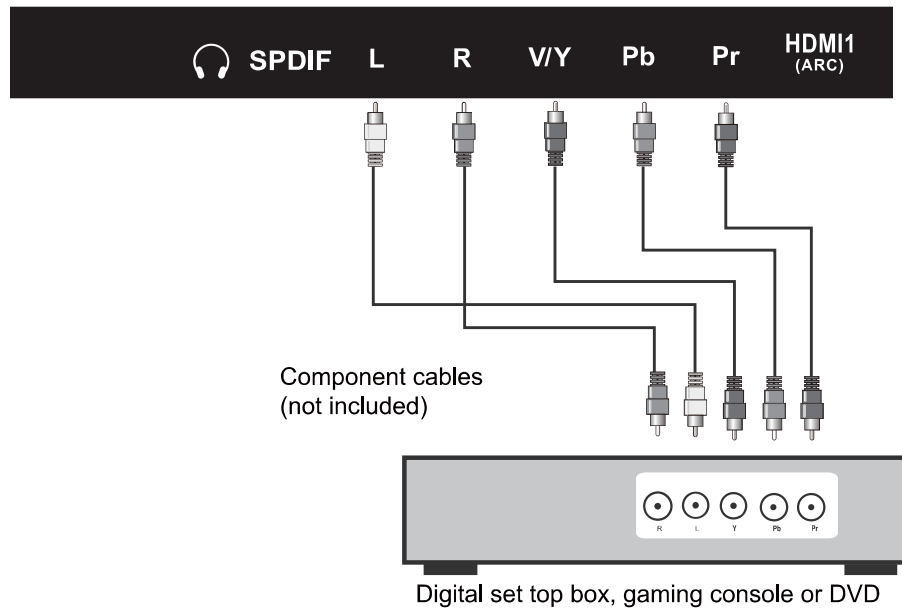
- Press the **INPUT** button on the remote control. Use ▼▲ arrow buttons to highlight the input to view (HDMI1,2,3 ) then press **ENTER** .



# Installation

## Connection to Component YPbPr Input

### Connecting External Equipment to Component Video IN (Y Pb Pr)



### For BETTER video performance

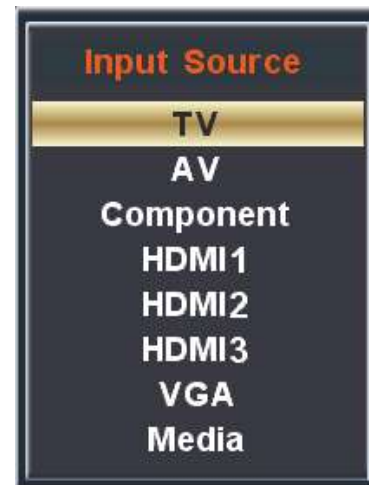
Connect to external equipment that features component video output jacks for better performance. Use the Component Y Pb Pr video and audio inputs with a set top box, gaming console or DVD player.

#### How to Connect Component

- When connecting external equipment to your television, match the colors of the connecting jacks (Video: Blue, Green, Red; Audio: White / Red ).
- Connect the optional component video cables (blue, green, red) (not included) from the video output jacks (Y, Pb, Pr) on your external equipment to the Component Y Pb Pr input on the TV's panel.
- Connect white / red audio cables for sound from the audio (L / R) output jacks on your external equipment to the AV L / R input jacks on the TV's panel.

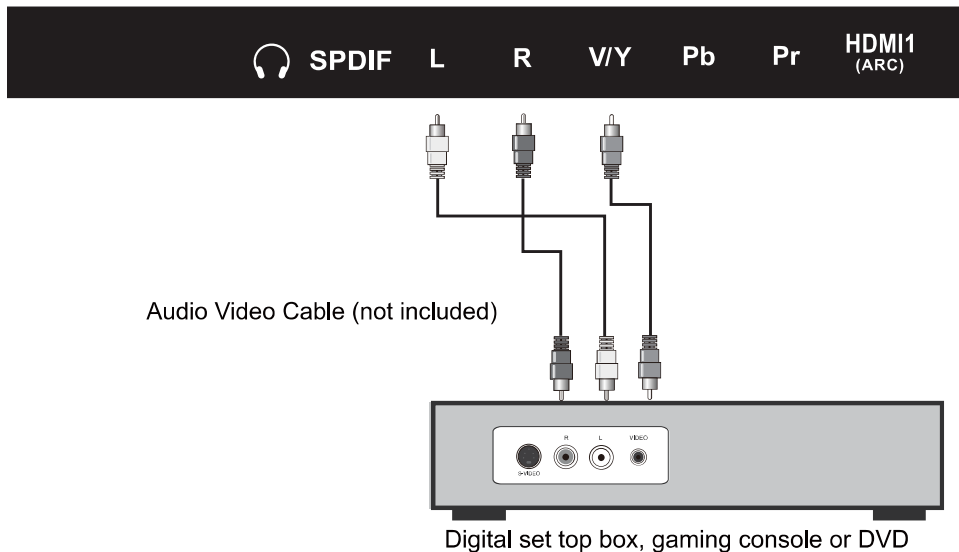
#### How to Use

- Press the **INPUT** button on the TV remote control. Use ▼▲ arrow buttons to highlight the input to view(Component) then press **ENTER**.





### Connecting External Equipment to AV Composite IN on your television



#### For GOOD video performance

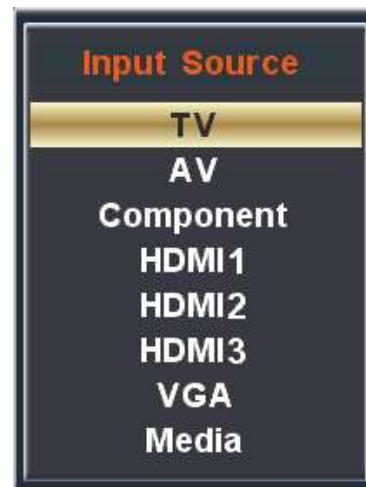
Connect to external equipment using optional video and audio cables. Composite output jacks are available on most set top cable / satellite boxes and DVD players. (HDMI and Component connections are recommended for the best performance.)

#### How to Connect Composite AV

- When connecting external equipment to your television, match the colors of the connecting jacks (Video: Yellow Audio: White & Red).
- Connect the yellow video cable from the video output jack on your external A / V equipment (i.e.: DVD player, set top box) to AV input on the TV's panel.
- Connect the white / red audio cables for sound from the audio (L / R) output jacks on your external equipment ( i.e.: DVD Player, set top box) to the AV (L / R) jacks on the TV's panel.

#### How to Use

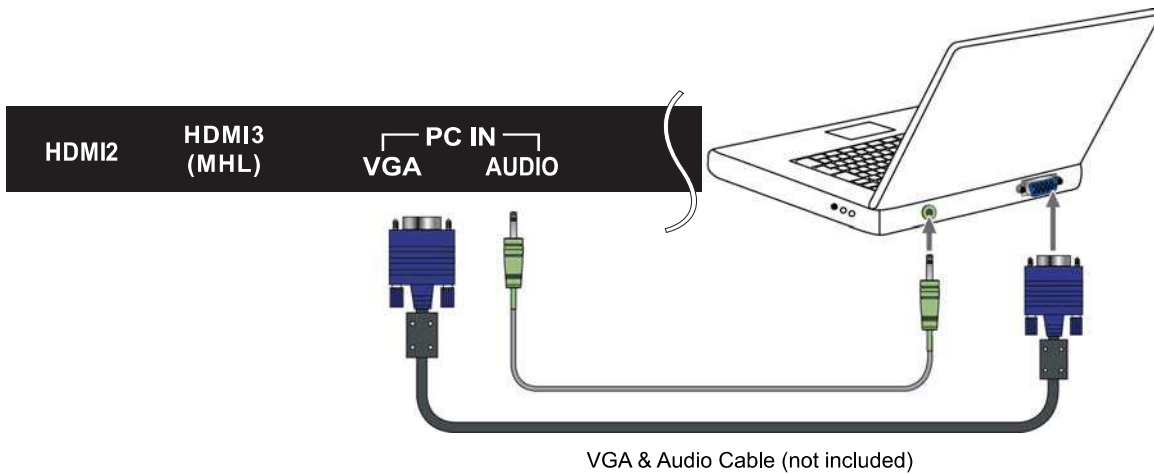
- Press the **INPUT** button on the remote control. Use ▼▲ arrow buttons to highlight the input to view (AV) then press **ENTER**.



# Installation

## Connection to a Personal Computer

### Connecting a Personal Computer with VGA to your television



Recommended computer display resolution: 1920x1080@60 Hz

#### How to Connect a PC

- Connect using an optional male to male VGA cable (not included) from your PC to the VGA input on the TV's panel.

#### How to Connect Audio sound

- Connect an audio cable (not included) from the computer's mini audio output jack to the audio input on the TV's panel.

#### How to Use

- Press the **INPUT** button on the remote control. Use the **▼▲** buttons to highlight the VGA input and press the **ENTER** button.

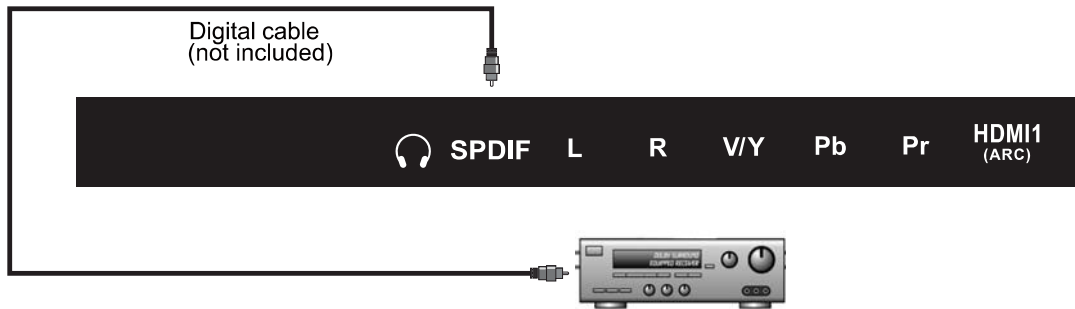
NOTE: If your PC uses a standard signal mode, the screen will adjust automatically .



# Installation

## Connection to a Home Theater System

### Connection to a Home Theater Audio System

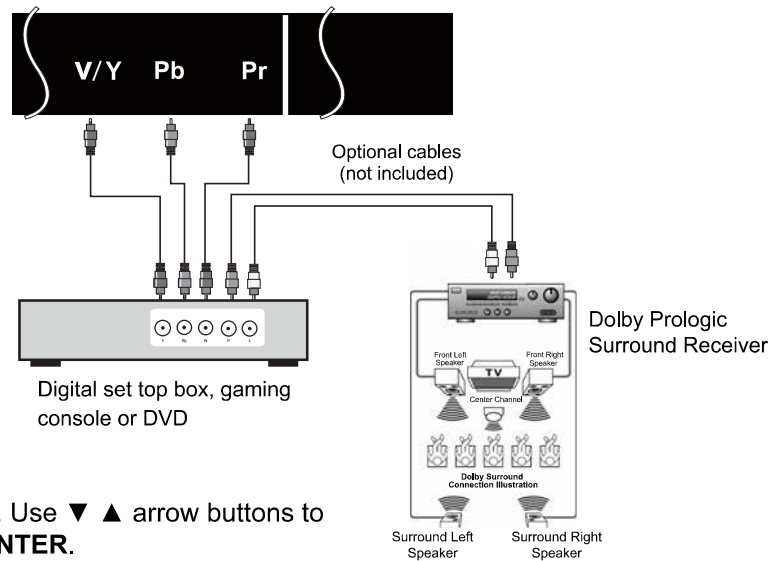


### Connecting to a Stereo Receiver / Amplifier

Enjoy realistic sound from your home theater system through a stereo / receiver amplifier or Prologic sound system when connected to your AV equipment.

NOTE: When audio cables are connected to a stereo / receiver amplifier, no audio sound will be heard from the TV's built-in speakers.

Example: The diagram illustrates the connection of audio cables directly from your AV equipment (like a cable box) to a stereo receiver instead of using the audio (L / R) jacks on the TV's panel.



#### How to Use (Video)

Press the appropriate **INPUT** button on the remote. Use ▼ ▲ arrow buttons to highlight the input source to view and then press **ENTER**.

#### How to Use (Audio)

Select the appropriate input from your audio equipment.

\*NOTE: Refer to the User Manual from your home theater equipment for recommended audio settings.

## Initial Setup Wizard

Setup Wizard only appears when first turning the TV on and without channel scanning.

After connecting your TV antenna or cable wire, turn the television ON. The quick setup wizard will display on-screen. Select your preferred Picture setting followed by antenna options and performing Auto Scan to receive local broadcast channels that will be stored in the TV tuner memory.

The wizard will direct you to the TV menu to select antenna options and perform Channel Auto Scan. Channels found will be stored into the TV tuner memory.



### How to Navigate:

- Press the ◀ ▶ arrow button to highlight **AIR / CABLE** based on your antenna connection.
- Highlight Start to Scan and press **ENTER**.
- **Channel Auto Scan** may take several minutes to complete.



After the Setup Wizard has been completed, please skip this page as your Cable/Antenna is already set up. The following instructions on this page are provided if you need to make changes at a later time.

**NOTE:** For Cable or Satellite users **WITH** a set-top box, there is no need to run Channel Auto Scan. Connect your cable or satellite set top box to one of the available inputs on the TV for viewing.

### To enter the Channel Menu:

- Press the **MENU** button
- Using the ◀ ▶ arrow buttons; scroll to highlight **Channel**
- Press the down ▼ arrow buttons to highlight **Air / Cable**

Select **Cable** if you subscribe to a pay television service **WITHOUT** a set top box.

- Press the ◀ ▶ arrow buttons to highlight **Cable**
- Press the ▼ arrow button to highlight **Auto Scan** and press **ENTER**. Press **ENTER** to begin **Auto Scan**.

**NOTE:** Channel Auto Scan may take several minutes to complete.

### Cable Mode



Select **Air** when TV is connected to an indoor / outdoor antenna.

- Press the ◀ ▶ arrow button to highlight **Air**.
- Press the ▼ arrow button to highlight **Auto Scan** and press **ENTER**. Press **ENTER** to begin **Auto Scan**.

**NOTE:** Channel Auto Scan may take several minutes to complete.

### Air Mode



The **Picture** menu offers options to enhance and refine the picture displayed on your TV based on ambient room light and personal preferences. Adjustment options include contrast, brightness, color, sharpness and color temperature.

### How to Navigate:

Press the **MENU** button on the remote control. Navigate using ◀ ▶ arrow buttons to select **Picture**. Press the down ▼ arrow button to highlight **Picture Mode**, then press the ▶ arrow button to select your viewing preference from 5 factory options: EnergySaving > User > Standard > Dynamic > Mild. The Standard setting is recommended for most brightly lit viewing environments. Depending on the ambient light level in the room, you may find one of the other Picture settings more pleasing.

To make more critical adjustments based on your own preferences in **User**.

- **Contrast**

Press down ▼ arrow button to highlight **Contrast**. Navigate using the ◀ ▶ arrow buttons to increase or decrease contrast intensity.

- **Brightness**

Press down ▼ arrow button to highlight **Brightness**. Navigate using the ◀ ▶ arrow buttons to increase or decrease overall brightness.

- **Color**

Press down ▼ arrow button to highlight **Color**. Navigate using the ◀ ▶ arrow buttons to increase or decrease color intensity.

- **Tint**

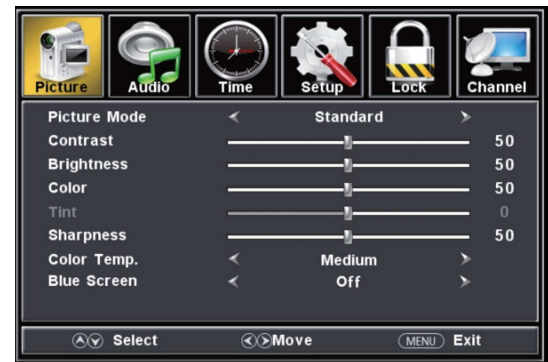
Press down ▼ arrow button to highlight **Tint**. Navigate using the ◀ ▶ arrow buttons to adjust colors toward green or reddish tint.

- **Sharpness**

Press down ▼ arrow button to highlight **Sharpness**. Navigate using the ◀ ▶ arrow buttons to soften or view crisper edges in the picture.

- **Color Temperature.**

Press down ▼ arrow button to highlight your **Color Temperature**. preference. Navigate using the ◀ ▶ arrow buttons to select Cool, Medium or Warm setting.



\*The **Energy Saving** feature adjusts the brightness of the TV in order to save energy and reduce power consumption.

Note: When adjustments are completed, you may select another menu by pressing the **Menu** button.

The **Audio** menu offers options to make sound enhancements while listening through the built-in speakers or to select digital audio options when connected to a Dolby Digital receiver through a (SPDIF) coaxial digital output.

### How to Navigate:

Press the **MENU** button on the remote control. Navigate using ◀▶ arrow buttons to select **Sound**. Press the ▼ arrow button to highlight **Sound Mode**, then press the ▶ arrow button to select your sound preference from 4 factory options: Music > Movie > User > Standard .

### To make more critical adjustments based on your own preferences in User

#### • Sound Mode

Press down ▼ arrow button to highlight **Sound Mode**.  
Press ◀▶ button to select Music > Movie > User > Standard .

- Music Preserves the original sound. Good for musical programs.
- Movie Enhances treble and bass for a rich sound experience .
- User Select to customize audio settings.
- Standard Produces a balanced sound in all environments.

#### • Bass

Press down ▼ arrow button to highlight **Bass**.  
Press ◀▶ buttons to increase or decrease low frequency intensity.

#### • Treble

Press down ▼ arrow button to highlight **Treble**.  
Press ◀▶ buttons to increase or decrease high frequency intensity.

#### • Balance

Press down ▼ arrow button to highlight **Balance**.  
Press ◀▶ buttons to adjust sound towards the left or right speaker.

#### • Surround Sound

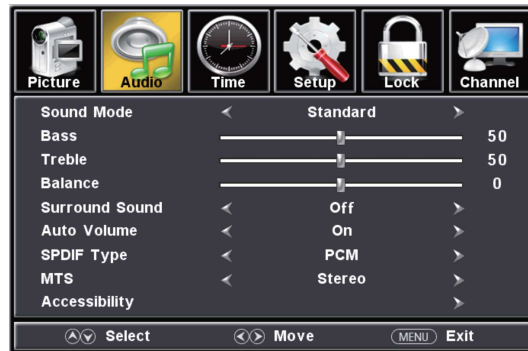
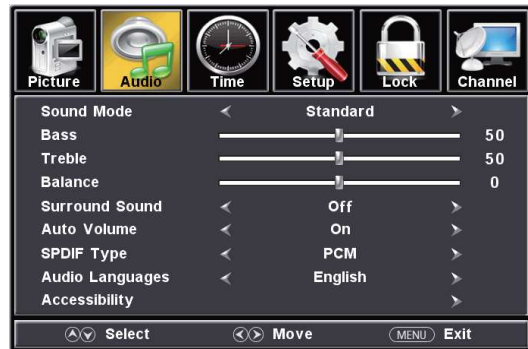
Press MENU to enter the main menu, press◀▶ button to select Sound.  
Press▲▼button to select among Surround Sound.  
Press◀▶ button to select(Off / On)

#### • Auto Volume

Press MENU to enter the main menu, press◀▶ button to select Audio.  
Press▲▼ button to select among Auto Volume.  
Press◀▶ button to select(Off / On).

#### • Audio Languages(only Digital TV mode)

Press MENU to enter the main menu, press◀▶ button to select Audio.  
Press▲▼ button to select among Audio Languages.  
Press◀▶ button to select different Audio Languages.



#### • MTS(only Analog TV mode)

Press MENU to enter the main menu, press◀▶button to select Audio.  
Press▲▼ button to select among MTS.  
Press◀▶ button to select(Stereo / SAP / Mono).

#### • SPDIF Type

Press MENU to enter the main menu, press◀▶ button to select Sound.  
Press▲▼ button to select among SPDIF Type.  
Press◀▶ button to select(RAW / Off / PCM).

#### • Accessibility

Press down ▼ arrow button to highlight **Accessibility**.  
Press ▶ buttons to Enter.

##### • VoiceGuide

##### • VideoDescription

Note: When adjustments are completed, you may select another menu by pressing the **Menu** button.

The **Time** menu includes adjustment of settings for your local time zone and daylight savings time. The clock will adjust automatically after the initial Channel Auto Scan of available broadcast channels in your area (see page 19 for TV Setup).

### How to Navigate:

Press the **MENU** button on the remote control. Navigate using arrow ◀ ▶ buttons to select Time.

- Press down ▼ arrow button to highlight **Sleep Timer** then press the ▶ arrow button to select time to view before the television timer turns the set off: 5 Min > 10 Min > 15 Min > 30 Min > 45 Min > 60 Min > 90 Min > 120Min > 180 Min > 240 Min > OFF.
- Press down ▼ arrow button to highlight **Time Zone** then press the ▶ arrow button to select between: Eastern > Central > Mountain > Pacific > Alaska > Hawaii > Atlantic.
- Press down ▼ arrow button to highlight **Daylight Savings Time**. Navigate using the ◀ ▶ arrow buttons to turn this feature on or off.
- Press down ▼ arrow button to highlight **Time Format**. Navigate using the ◀ ▶ arrow buttons to turn this feature **12-hour or 24-hour**.
- Press down ▼ arrow button to highlight **Auto Clock**. Navigate using the ◀ ▶ arrow buttons to turn this feature **on or off**.
- **Clock** and Date are automatically set the first time the tuner receives a broadcast channel.



Note: When adjustments are completed, you may select another menu by pressing the **Menu** button.



In the **Setup** menu you may change the initial set up of preferences that include settings for language, menu display, computer monitoring, closed captions, enhancement of black detail in the picture and resetting your TV back to its factory default status.

### How to Navigate:

Press the **MENU** button on the remote control. Navigate using arrow **◀ ▶** buttons to select **Setup**. Gain access to display options by pressing the down **▼** arrow button to highlight **Menu Language** or other options, then press **▶** arrow button on your remote to select.

#### • Menu Languages

Other languages include English, Français, Español.



#### • Transparency

Navigate using the **◀ ▶** arrow buttons to turn ON/OFF



#### • Zoom Mode

Adjust the duration of the Zoom Mode menu.

Press **◀ ▶** button to select.



#### • Restore Default

Press the **▶** arrow button to automatically reset all adjustments back to their original factory settings.



#### • HDMI CEC

Press the **▶** arrow button to enter.



NOTE: Closed Caption and Advanced are features described on the following pages.

The **CEC** menu includes HDMI CEC \ Auto Standby \ Auto TV on \ HDMI ARC \ Device control \ Device List.

## How to Navigate:

Press the **MENU** button on the remote control. Navigate using arrow ◀ ▶ buttons to select **Setup**

- To turn the HDMI CEC option On/Off use the ▲▼ buttons to highlight HDMI CEC then press ◀ ▶.

- Auto Standby: the TV will turn Off when there is No Signal on the TV for several minutes.

- Auto TV On: TV will automatically turn On when the connected CEC device is turned On.



- Turn HDMI ARC ON if you want to use the ARC function with a connected 5.1/7.1 Home Theater System.

- Device Control: allows for a connected CEC device to be controlled by the TV remote.

- Device List: displays a list of HDMI CEC devices currently connected to the TV.



- Note: refer to the user manual of your Home Theater System for compatibility, instructions, and connections needed to use the HDMI ARC feature.

- Note: refer to the user manual of your connected CEC device for compatibility, instructions, and connections needed to use the HDMI CEC feature.

Note: When adjustments are completed, you may select another menu by pressing the **Menu** button.

The **Setup** menu includes adjustments for activating the **Closed Caption** text feature for display on-screen and customizing CC display types and font styles.

### How to Navigate:

Press the **MENU** button on the remote control. Navigate using arrow ◀ ▶ buttons to select **Setup**.

- Press the down ▼ arrow button to highlight **Closed Caption** then press the ▶ arrow button to highlight CC Mode.

- Navigate using the ◀ ▶ arrow buttons to select Off > On > CC On Mute.

- Press down ▼ arrow button to highlight **Basic Sdlection**. Navigate using the ◀ ▶ arrow buttons to select CC1-4, TEXT1-4.



- Press down ▼ arrow button to highlight **Advanced**. Navigate using the ◀ ▶ arrow buttons to select, Service 1-6.

- Press down ▼ arrow button to highlight **Option**. Press the ▶ arrow button to enter a menu with options to customize text fonts, colors and opacities.



Note: When adjustments are completed, you may select another menu by pressing the **Menu** button.

In the **Lock** menu, you may block television and movie programming based on TV ratings and Motion Picture Association guidelines. To gain access and select your preferences within the Parental menu make certain your input is set to TV.

### How to Navigate:

Press the **MENU** button on the remote control. Navigate using arrow ◀ ▶ buttons to select **Lock**. Gain access to parental rating options by pressing the down ▼ arrow button to highlight **Enter Password**. Enter your 4 digit code (factory default code is "0000") unless previously changed.

- To change the password, press ▶ arrow button to display a screen to enter your new password, then confirm again. (not illustrated)

- To make changes to parental controls, highlight **System Lock** then press the ◀ ▶ arrow button



- To set parental controls for television programming or DVD movies, press the ▼▲ arrow buttons to highlight US Rating. Navigate using the ◀▶ buttons to highlight **TV / MPAA** menu.

- Highlight TV, then press the ▶ arrow button to enter the TV Ratings menu and select your preference.

- TV-Y** Appropriate for all children
- TV-Y7** Appropriate for all children over 7
- TV-G** General Audience
- TV-PG** Parental Guidance Suggested
- TV-14** Parents Strongly Cautioned
- TV-MA** Mature Audience Only

- Highlight MPAA, then press the ▶ arrow button repeatedly to select your movie rating preference.

- G** General Audience
- PG** Parental Guidance Suggested
- PG-13** Parents Strongly Cautioned
- R** Restricted
- NC-17** No One Under 17 Permitted
- X** Adults Only



NOTE: RRT Setting and Reset RRT are not user adjustable settings.

In the **Lock** menu, you may block television and movie programming based on Canadian TV and movie rating guidelines. To gain access and select your preferences within the Parental menu make certain your input is set to TV.

### How to Navigate:

Press the **MENU** button on the remote control. Navigate using arrow ◀ ▶ buttons to select **Lock**. Gain access to rating options by pressing the down ▼ arrow button to highlight **Enter Password**. Enter your 4 digit code (factory default code is "0000") unless previously changed. See page 26 for information on how to change your password. Then press the ▼▲ arrow buttons to highlight Canada. Navigate using the ◀ ▶ buttons to highlight **Canada English**.

- Navigate using down ▼ arrow button to highlight **Canada English** then press the ◀ ▶ arrow button repeatedly to select your ratings preference.



E	Turn off
C	Appropriate for all children
C8+	Appropriate for everyone 8 years old and up
G	General Audience
PG	Parental Guidance
14+	Appropriate for Children over 14 years old
18+	Mature Audience Only

- Navigate using down ▼ arrow button to highlight **Canada French** then press the ◀ ▶ arrow button repeatedly to select your ratings preference.



E	Turn off
G	General Audience
8 ans+	Appropriate for Children 8 years old and up
13 ans+	Appropriate for Children 13 years old and up
16 ans+	Appropriate for Children 16 years old and up
18 ans+	Mature Audience Only

Note: When adjustments are completed, you may select another menu by pressing the **Menu** button.

The **Channel** provides the setup / changes of your television to receive broadcast channels, store your favorite channels, add or skip channels in memory and label or name channels. (For antenna and Auto Channel Scan setup, please refer to page 19.)

### How to Navigate:

Press the **MENU** button on the remote control. Navigate using arrow **◀ ▶** buttons to select **Channel**. Press the down **▼** button to highlight your preferences.

#### • Favorite

• Highlight **Favorite** to add channels to your Favorites List. Navigate using the **◀▶▼▲** arrow buttons to select channels to be added or deleted from your list. Press **ENTER** to add or delete a channel. A checkmark indicates a channel has been added. You may also display your list of **Favorite** channels by pressing the **FAV** button on the remote control



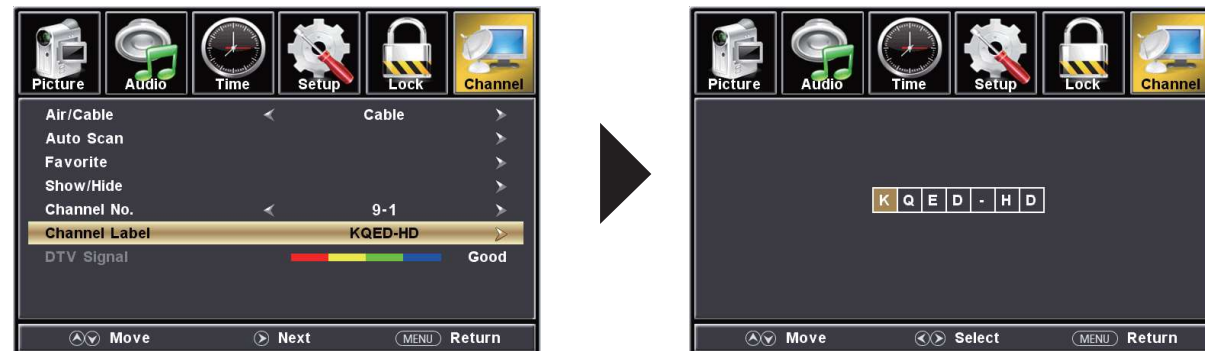
#### • Show / Hide

• Highlight **Show / Hide** to select or skip channels already in memory. Navigate using the **◀▶▼▲** arrow buttons to access the list of available channels. Press **ENTER** to change the channels status. A checkmark indicates a channel has been added.



#### • Channel Label

• Highlight **Channel Label** to name or rename a broadcast channel. Navigate using the **▶** arrow button to enter the screen menu to relabel a channel. Use the **▼▲** arrow buttons to spell out each letter, number or character. Use **◀ ▶** arrow buttons to advance to the next space.



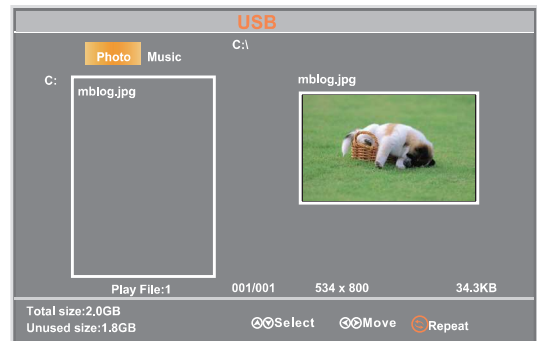
# USB Modes

1. Press the **INPUT** button on the remote control to display the Input Menu.
2. Press the **▲▼** buttons to select **MEDIA** in the Source menu, and then press the **ENTER** button.



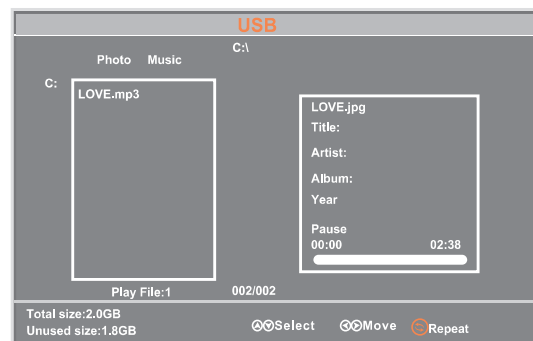
## To view Photos on the TV:

- Press the **◀ ▶** buttons to select **Photo**.
- Press the **▲** or **▼** button to highlight the photo you want to view.
- Press **ENTER** to view the photo.
- Press the **◀◀** or **▶▶** button to view the next photo.
- Press the **▶||** button to return main menu.



## To Listen to Music on the TV:

- Press the **◀ ▶** buttons to select **Music**.
- Press the **▲** or **▼** button to highlight the song you want to hear.
- Press **ENTER** to start playing the song.
- Press the **◀◀** or **▶▶** button to skip to the next/previous song.
- Press the **▶||** button to stop playback.



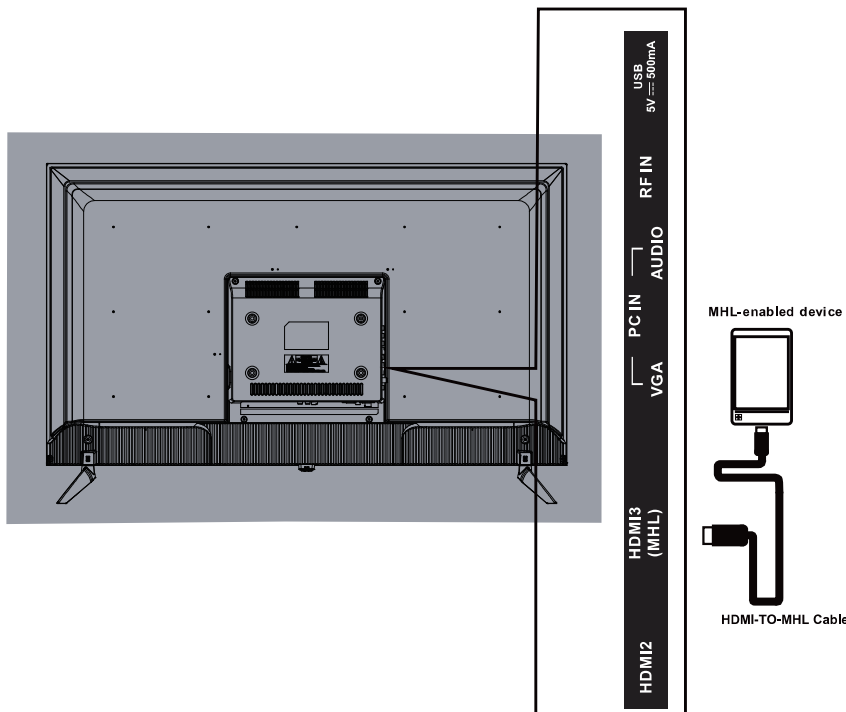
# MHL Setting

## Connecting an MHL-enabled device

You can connect an MHL-enabled device, such as a cell phone, and view your device's screen on your TV.

### To connect an MHL-enabled device:

- 1 Press INPUT to open the Input Source list.
- 2 Press ▲ or ▼ to select **HDMI3**, then press **ENTER**.
- 3 Connect an MHL cable (not provided) to the micro USB port on the device, then connect the other end of the cable to the HDMI/MHL jack on the side of your TV.



- 4 Your device's menu will vary depending on the device and the apps you have loaded on the device.





# Specifications

<b>Display</b>	LED
<b>Size (inch)</b>	43
<b>Aspect Ratio</b>	16:9
<b>Digital Compatibility</b>	480i / 480p / 720p /1080i
<b>Resolution</b>	1920x1080
<b>Brightness (cd / m2)</b>	200
<b>Dynamic Contrast Ratio</b>	4000:1
<b>Vertical Viewing Angle (degrees)</b>	178°
<b>Horizontal Viewing Angle (degrees)</b>	178°
<b>Maximum Colors (millions)</b>	16.7M
<b>Power Consumption</b>	75Watts
<b>Audio Power</b>	2 X 8 W
<b>Dimension without Pedestal Installed</b>	37.6" (W) x22.3" (H) x 3.8" (D)
<b>Weight without Pedestal</b>	13.6 lbs
<b>Input Connections</b>	Composite Video (1) Y Pb Pr (1) HDMI (3) RF (1) SPDIF Digital Audio Output (1) PC / VGA (1) PC Audio IN (1) Headphone Jack (1) USB (1)

# Troubleshooting

Check for a possible solution to a symptom before contacting a customer service representative.

Symptom	Possible Solutions
Cannot receive certain channels through the antenna	<ul style="list-style-type: none"> <li>• Perform Channel Scan to add channels into the TV tuner memory. See page 18.</li> <li>• Readjust your antenna and retry Auto Channel Scan.</li> <li>• Signal from the TV station may be weak in your area.</li> </ul>
No color	<ul style="list-style-type: none"> <li>• Check the video installation of your external A / V equipment. See pages 15.</li> </ul>
Video noise or choppy picture	<ul style="list-style-type: none"> <li>• Readjust antenna. Keep TV away from noise sources, neon lights, and microwave appliances.</li> </ul>
TV blocked on certain channels	<ul style="list-style-type: none"> <li>• Perform Channel Scan to add channels into the TV tuner memory. See page 18.</li> <li>• Check whether the channel was deleted. See page 28.</li> <li>• Check parental control settings. See pages 26, 27.</li> <li>• Restore default settings. See page 23.</li> </ul>
Cannot use certain functions	<ul style="list-style-type: none"> <li>• If the item chosen in a menu is shown in gray text, that item cannot be selected in the current input.</li> </ul>
No sound	<ul style="list-style-type: none"> <li>• Check that connected audio cables are completely inserted.</li> <li>• Verify you have selected the correct audio source from your amplifier. See page 16.</li> <li>• Mute function may be enabled, press mute on the remote.</li> </ul>
Black box on screen	<ul style="list-style-type: none"> <li>• The "Text" option is enabled and no text is available.</li> <li>• Press the CCD button on the remote control to turn off.</li> </ul>
No power	<ul style="list-style-type: none"> <li>• Batteries in the remote control may need replacing.</li> <li>• Re-attach AC plug to wall outlet.</li> </ul>
No picture	<ul style="list-style-type: none"> <li>• Digital TV channel signal maybe weak, try another channel.</li> <li>• Press INPUT button to verify the desired input selected.</li> <li>• Re-connect the antenna or cable wiring.</li> <li>• Restore default settings. See page 23.</li> </ul>
Remote control does not function	<ul style="list-style-type: none"> <li>• Replace batteries with new ones.</li> <li>• Check that battery polarity is correct.</li> <li>• Point remote directly at the TV's IR receiver. See page 7.</li> </ul>



## **LIMITED ONE-YEAR TELEVISION WARRANTY**

We warrant this product to be free from defects in material and workmanship under normal use for a one-year period from the original date of purchase from an authorized ETEC dealer. We will repair or replace the unit free of charge should it become defective under this warranty, providing you, the original purchaser, submit proof of purchase (sales slip) along with the TV and all accessories.

Should you be missing any of the included accessories or other components (screws, pieces, etc.), please contact the Customer Support Center to secure a replacement. It is not necessary to bring the unit back to the store. When calling, please reference the parts list found in the Instruction Manual to help us accurately identify the missing parts and promptly provide replacements.

During the one-year period from the original purchase date, we will service or exchange the TV, at no charge. To obtain warranty service or replacement within the duration of the one-year warranty, please return the product and all accessories to the original place of purchase.

For technical support visit our website [www.sibrandssupport.com](http://www.sibrandssupport.com) or call the the ETEC Technical Support Center for technical assistance or troubleshooting at 1-855-994-3832, Monday - Saturday, 10:00AM to 7:00PM EST.

There are no consumer serviceable parts contained in this product and any attempt by the owner to service or repair the unit will immediately void all warranty coverage.

This warranty does not cover any product which has been subject to damage due to an act of nature, misuse, neglect, accident, abuse, outdoor use, commercial use, or modification of, or to, any part of the product, including the antenna. Damage to any external media such as DVD, CD, and/or USB or other memory devices are not covered nor is the cost incurred in shipping the unit for warranty repair. Under no circumstances shall ETEC be liable for any loss (direct, indirect, incidental, foreseen, unforeseen, special or consequential) or for any damage arising out of, or in connection with, the use of this product.

**UNDER NO CIRCUMSTANCES WILL ETEC BE LIABLE FOR ANY INCIDENTAL OR CONSEQUENTIAL DAMAGES.**

This warranty does not cover re-manufactured units, or product sold 'As Is'.

This warranty is valid only to the original purchaser of the Product in the United States and Canada and grants specific legal rights.









